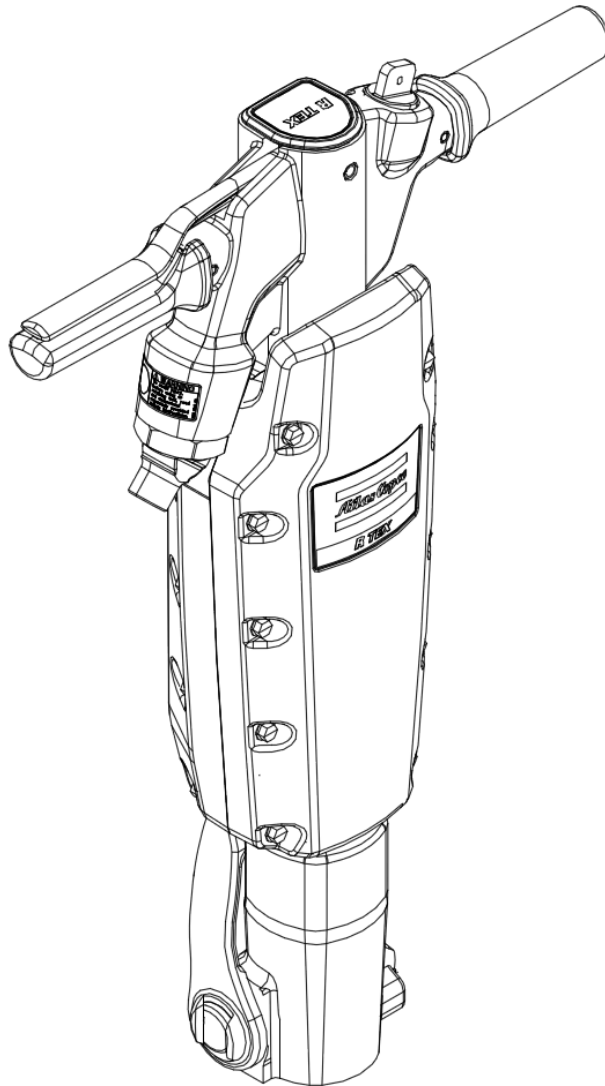


# RTEX

---

## Spare Parts List Handheld pneumatic breakers

RTEX s/n MHN181208 -



## General information

This spare parts list applies to the following:

Part number	Description
8461012510	RTEX (H25 ISO)
8461012511	RTEX (H25 US)
8461012520	RTEX (H28 )
8461012530	RTEX (H32 )

Use only authorized parts. Any damage or malfunction caused by the use of Unauthorized parts is not covered by Warranty or Product Liability. Any unauthorized use or copying of the contents or any part thereof is Prohibited. This applies in particular to trademarks, model denominations, part Numbers, and drawings.

### Instructions for use

This spare parts list contains no safety regulations and is merely intended to Assist in the ordering of spare parts.

For information about operating, servicing, or repairing, the relevant Safety And operating instructions must be consulted at all costs.

Please observe the safety instructions listed in the relevant Safety and operating instructions!

Contents

**Mechanical**

RTEX (H28, H32) ..... 1  
RTEX (H25) ..... 4

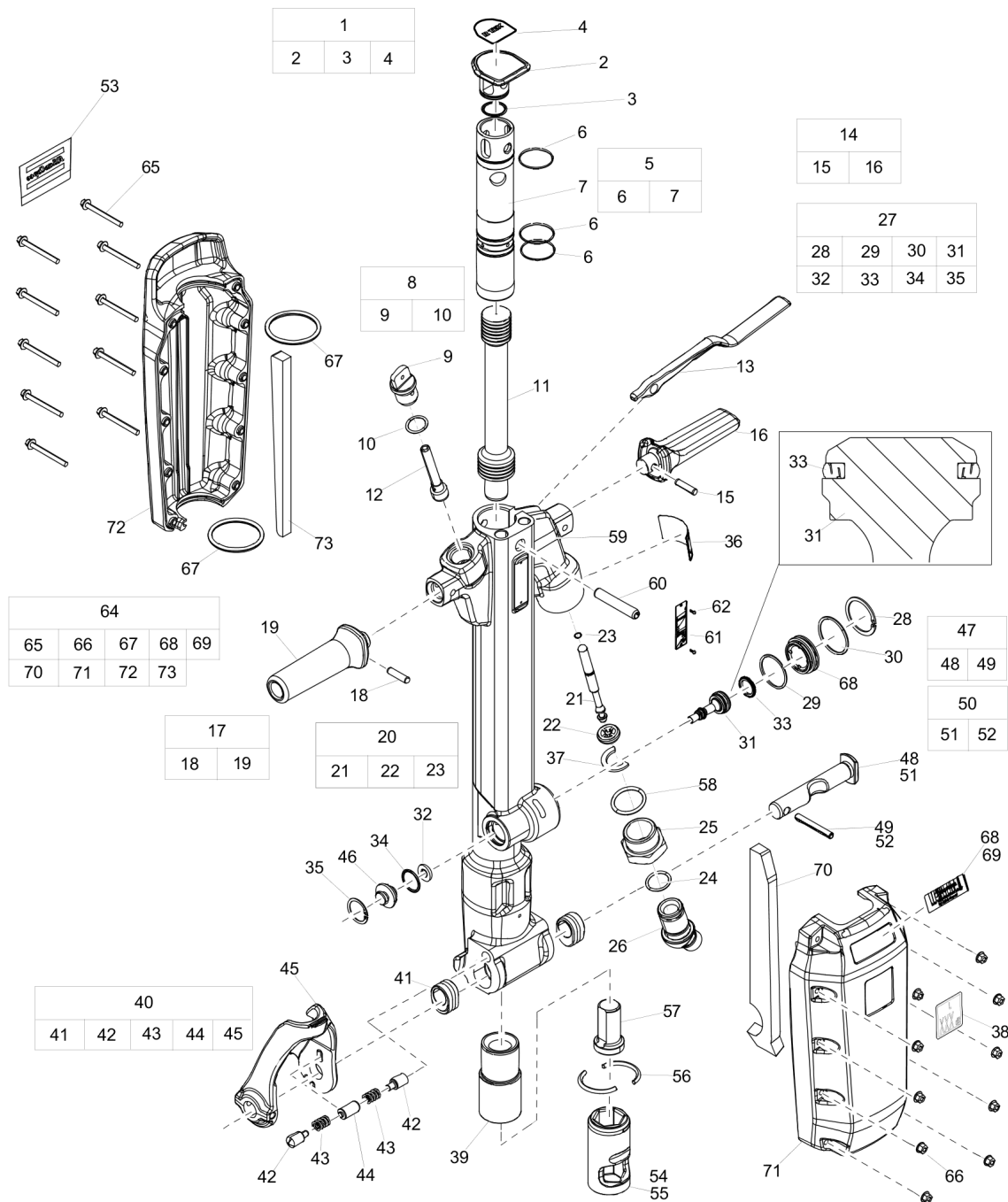
**Working tools**

Insertion tools .....8  
ISO standard hexagon 25 x 108 mm ..... 11  
ISO standard hexagon 28 x 160 mm ..... 13  
ISO standard hexagon 32 x 160 mm ..... 16

**Options / accessories**

Water separator ..... 20  
Lubricator ..... 23  
Pre-mounted hoses ..... 25  
Breaker and hammer AIR-OIL ..... 27  
Claw couplings ..... 29  
Shank gauge ..... 31

**Mechanical RTEX (H28, H32)**



Refer to Parts Online for the most up to date information. The printed information might be outdated.

Fri Aug 18 04:49:34 UTC 2017

Item	Part No.	Name	Qty	L
1	3310110075	Top cover, complete	1	
2	-	Top cover	1	
3	0663914300	O-ring, Ø30.3 x 2.4 mm, 1.20 x 0.09 in.	1	
4	3310190100	Product label, "R TEX"	1	
5	3310110074	Liner, complete	1	
6	4090050700	O-ring, Ø40 x 2 mm, 1.57 x 0.08 in.	3	
7	-	Liner	1	
8	3310146280	Oil plug, complete	1	
9	-	Oil plug	1	
10	0663212600	O-ring, Ø22.2 x 3 mm, 0.87 x 0.12 in.	1	
11	3310195000	Piston	1	
12	3310189300	Dosing feeder	1	
13	3310175900	Trigger	1	
14	3310110077	Handle right, complete	1	
15	0108135900	Slotted spring pin, Ø 8 x 32 mm, Ø 0.31 x 1.26 in.	1	
16	-	Handle	1	
17	3310110076	Handle left, complete	1	
18	0108135900	Slotted spring pin, Ø 8 x 32 mm, Ø 0.31 x 1.26 in.	1	
19	-	Handle	1	
20	3310110078	Valve stem, complete	1	
21	-	Valve stem	1	
22	-	Inlet valve	1	
23	0663211400	O-ring 7.3 x 2.4 mm (70 shore), 0.28 x 0.09 in.	1	
24	0663212800	O-ring, 26.2 x 3 mm (70 shore), 1.03 x 0.12 in.	1	
25	3310175800	Swivel nut	1	
26	3310175700	Swivel	1	
27	3310110073	Main Valve, complete	1	
28	0335214400	Circlip	1	
29	0663212050	O-ring, Ø33 x 2.62 mm, 1.30 x 0.10 in.	1	
30	0663213400	O-ring, Ø42.2 x 3 mm, 1.66 x 0.12 in.	1	
31	-	Main valve	1	
32	-	Sealing valve	1	
33	0663990052	AIRZET PK 25	1	
34	0663990053	X- ring	1	
35	0335213300	Circlip DIN472	1	
36	3310160200	Safety Label	1	
37	3121086100	Lock washer	1	

Refer to Parts Online for the most up to date information. The printed information might be outdated.

Fri Aug 18 04:49:34 UTC 2017

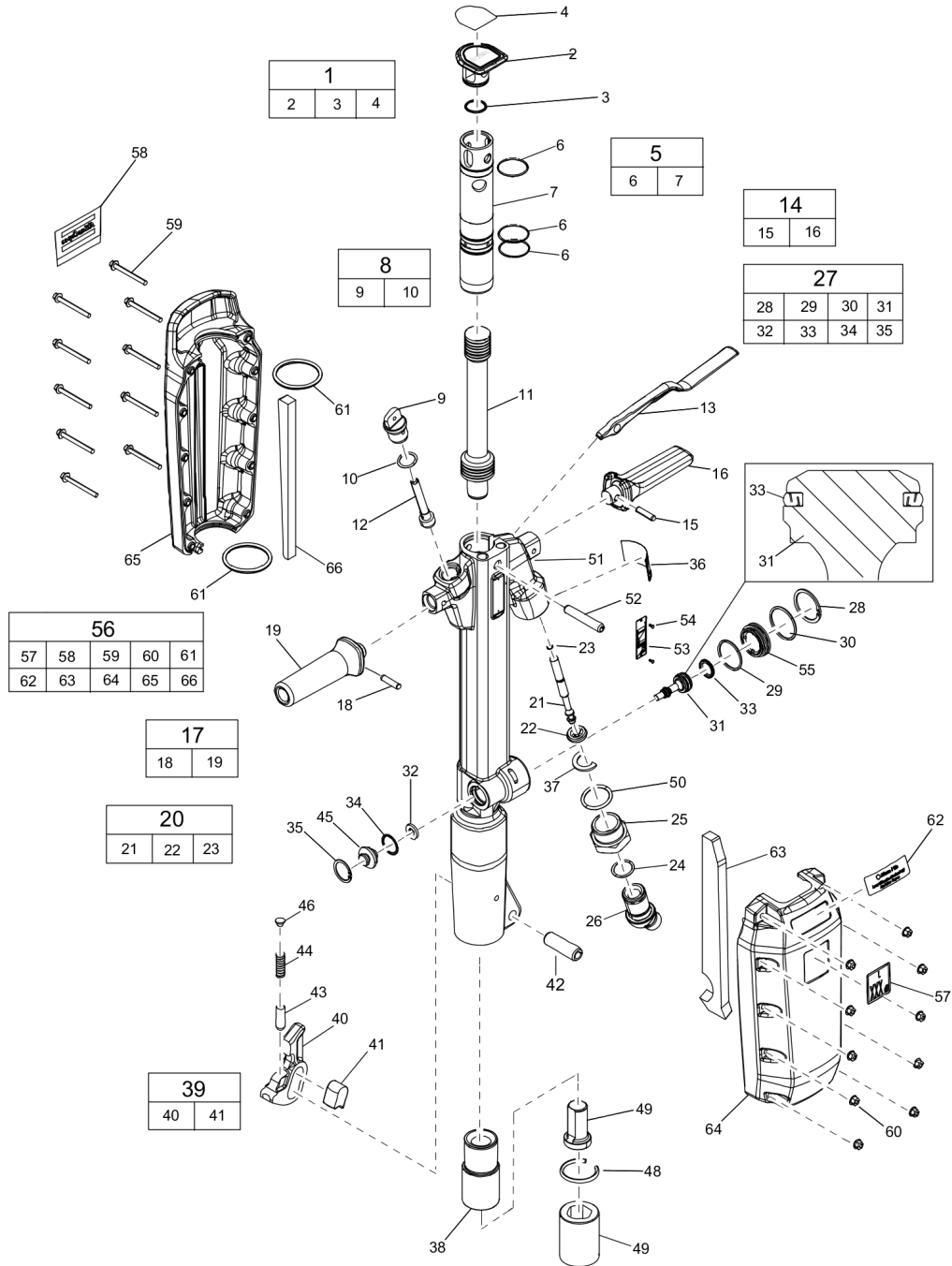
Item	Part No.	Name	Qty	L
38	3310132707	Sound power label	1	
39	3310177200	Intermediate part	1	
40	3310110071	Tool retainer, complete	1	
41	3310176700	Bush	2	
42	3310176900	Plunger	2	
43	3310176500	Spring	2	
44	3310181800	Locking cylinder	1	
45	-	Retainer	1	
46	3310165500	Cover	1	
47	3310110079	Retainer pin, complete (H28)	1	
48	-	Retainer pin	1	
49	0108110351	Spring pin	1	
50	3310110080	Retainer pin, complete (H32)	1	
51	-	Retainer pin	1	
52	0108110351	Spring pin	1	
53	3310189800	Product label, "R TEX"	1	
54	3310177500	Chuck bushing H28	1	
55	3310177000	Chuck bushing H32	1	
56	3310178600	Lock ring	2	
57	3310176400	Anvil block	1	
58	4090050700	O-ring, Ø40 x 2 mm, 1.57 x 0.08 in.	1	
59	-	Cylinder	1	
60	0108110350	Spring pin	1	
61	-	Data plate (Not available separately)	1	
62	0244414400	Drive screw	2	
63	3310170200	Cover	1	
64	3310110072	Silencer, complete	1	
65	0147300032	Flange screw	10	
66	9232020750	Flange nut	10	
67	0663213900	O-ring, Ø59.2 x 5.7 mm, 2.33 x 0.22 in.	2	
68	3310190500	Dimension label 28 x 160/152	1	
69	3310190400	Dimension label 32 x 160/152	1	
70	3310179600	Seperation wall back	1	
71	-	Silencer back	1	
72	-	Silencer front	1	
73	3310179400	Seperation wall front	1	

Refer to Parts Online for the most up to date information. The printed information might be outdated.

Fri Aug 18 04:49:34 UTC 2017

This page intentionally left blank

**Mechanical RTEX (H25)**



Refer to Parts Online for the most up to date information. The printed information might be outdated.

Fri Aug 18 04:49:34 UTC 2017



Item	Part No.	Name	Qty	L
1	3310110075	Top cover, complete	1	
2	-	Top cover	1	
3	0663914300	O-ring, Ø30.3 x 2.4 mm, 1.20 x 0.09 in.	1	
4	3310190100	Product label, "R TEX"	1	
5	3310110074	Liner, complete	1	
6	4090050700	O-ring, Ø40 x 2 mm, 1.57 x 0.08 in.	3	
7	-	Liner	1	
8	3310146280	Oil plug, complete	1	
9	-	Oil plug	1	
10	0663212600	O-ring, Ø22.2 x 3 mm, 0.87 x 0.12 in.	1	
11	3310195000	Piston	1	
12	3310189300	Dosing feeder	1	
13	3310175900	Trigger	1	
14	3310110077	Handle right, complete	1	
15	0108135900	Slotted spring pin, Ø 8 x 32 mm, Ø 0.31 x 1.26 in.	1	
16	-	Handle	1	
17	3310110076	Handle left, complete	1	
18	0108135900	Slotted spring pin, Ø 8 x 32 mm, Ø 0.31 x 1.26 in.	1	
19	-	Handle	1	
20	3310110078	Valve stem, complete	1	
21	-	Valve stem	1	
22	-	Inlet valve	1	
23	0663211400	O-ring 7.3 x 2.4 mm (70 shore), 0.28 x 0.09 in.	1	
24	0663212800	O-ring, 26.2 x 3 mm (70 shore), 1.03 x 0.12 in.	1	
25	3310175800	Swivel nut	1	
26	3310175700	Swivel	1	
27	3310110073	Main Valve, complete	1	
28	0335214400	Circlip	1	
29	0663212050	O-ring, Ø33 x 2.62 mm, 1.30 x 0.10 in.	1	
30	0663213400	O-ring, Ø42.2 x 3 mm, 1.66 x 0.12 in.	1	
31	-	Main valve	1	
32	-	Sealing valve	1	
33	0663990052	AIRZET PK 25	1	
34	0663990053	X- ring	1	
35	0335213300	Circlip DIN472	1	
36	3310160200	Safety Label	1	
37	3121086100	Lock washer	1	

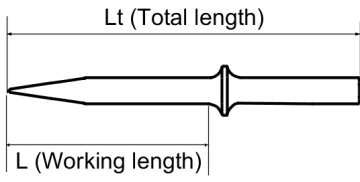
Refer to Parts Online for the most up to date information. The printed information might be outdated.

Fri Aug 18 04:49:34 UTC 2017

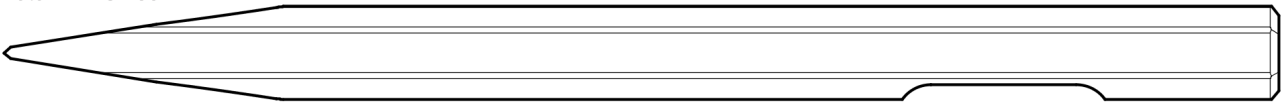
Item	Part No.	Name	Qty	L
38	3310177200	Intermediate part	1	
39	3310110290	Tool retainer, complete	1	
40	-	Retainer	1	
41	3310198800	Bush	1	
42	0108169105	Spring pin	1	
43	3310089300	Plunger	1	
44	3310089400	Spring	1	
45	3310165500	Cover	1	
46	3310150800	Protection plug	1	
47	3310177600	Chuck bushing H25	1	
48	3310180700	Lock ring	2	
49	3310176400	Anvil block	1	
50	4090050700	O-ring, Ø40 x 2 mm, 1.57 x 0.08 in.	1	
51	-	Cylinder	1	
52	0108110350	Spring pin	1	
53	-	Data plate (Not available separately)	1	
54	0244414400	Drive screw	2	
55	3310170200	Cover	1	
56	3310100332	Silencer, complete	1	
57	3310132707	Sound power label	1	
58	3310189800	Product label, "R TEX"	1	
59	0147300032	Flange screw	10	
60	9232020750	Flange nut	10	
61	0663213900	O-ring, Ø59.2 x 5.7 mm, 2.33 x 0.22 in.	2	
62	3310190600	Dimension label 25 x 108	1	
63	3310179600	Seperation wall back	1	
64	-	Silencer back	1	
65	-	Silencer front	1	
66	3310179400	Seperation wall front	1	

This page intentionally left blank

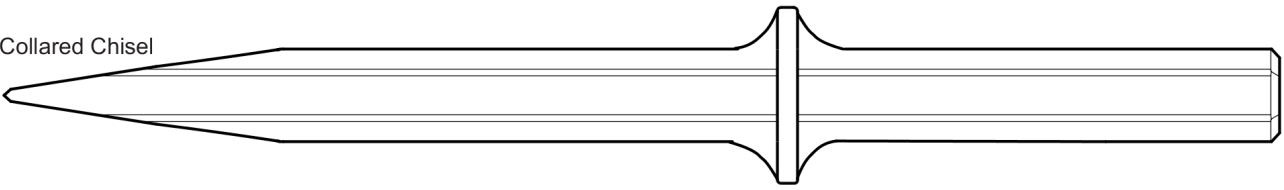
**Working tools** Insertion tools



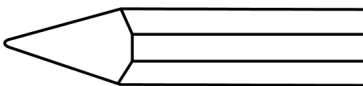
Notched Chisel



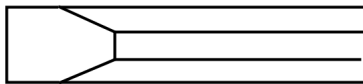
Collared Chisel



Moil point



Narrow Chisel



Item	Part No.	Name	Qty	L
1	3083418010	Notched - narrow chisel - H28	1	A
2	3083327400	Collared - Narrow chisel H 28 x 160	1	B
3	3083327100	Collared - Moil point - Hex 28 x 160	1	C
4	3083320800	Collared - Narrow chisel - Hex 32 x 160	1	D
5	3083320500	Collared - Moil point - Hex 32 x 160	1	E

Comments for Page: Insertion tools

A | Lt = 440 mm(17 in.) L = 300 mm (11 4/5 in) Weigth = 2.3 kg

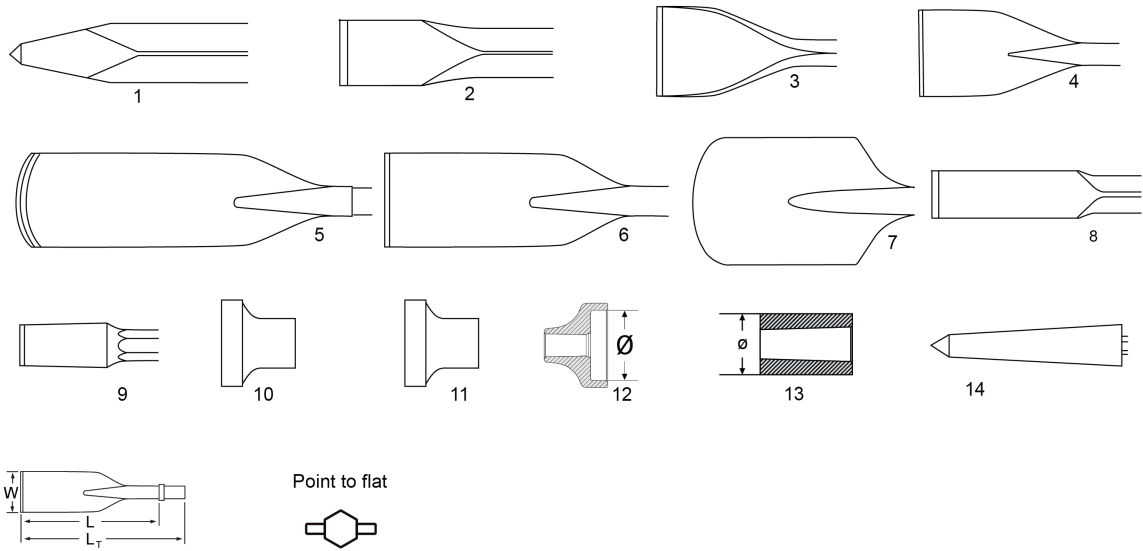
B | Lt = 545 mm(21 in.) L = 310 mm (12 1/5 in.) Weigth = 2.8 kg

C | Lt = 545 mm(21 in.) L = 310 mm (12 1/5 in.) Weigth = 2.8 kg

D | Lt = 545 mm(21 in.) L = 310 mm (12 1/5 in.) Weigth = 3.5 kg

E | Lt = 545 mm(21 in.) L = 310 mm (12 1/5 in.) Weigth = 3.5 kg

**Working tools** ISO standard hexagon 25 x 108 mm



Item	Part No.	Name	Qty	L
1	3083325300	Moil point	1	A
2	3083325400	Narrow chisel	1	B
3	3083325500	Wide chisel	1	C
5	3083325600	Digging chisel	1	D
6	3083325700	Digging spade	1	E
7	3083303300	Clay spade	1	F
8	3083325800	Wedge chisel	1	G
9	3083325900	Shaft for tamping pad	1	H
10	3083325210	Tamping pad, round	1	I
11	3083323900	Tamping pad, square	1	J
12	9245281790	Driver pad, round	1	K
12	3371806012	Driver pad, round	1	L
14	9245282230	Posthole tool	1	M

Comments for Page: ISO standard hexagon 25 x 108 mm

(L)OCAL REMARKS

A | W= - L=380 mm, Lt=500 mm, Wt=2.0 kg

B | W= - L=380 mm, Lt=500 mm, Wt=2.1 kg

C | W= 75 L=380 mm, Lt=500 mm, Wt=2.3 kg

D | W= 75 L=380 mm, Lt=500 mm, Wt=3.1 kg

E | W=120 L=380 mm, Lt=500 mm, Wt=4.2 kg

F | W=125 L=430 mm, Lt=550 mm, Wt=3.8 kg

G | W=35 L=380 mm, Lt=500 mm, Wt=2.5 kg

H | W= - L=280 mm, Lt=400 mm, Wt=2.1 kg

I | W= Ø175 L=- mm, Lt=- mm, Wt=7.6 kg

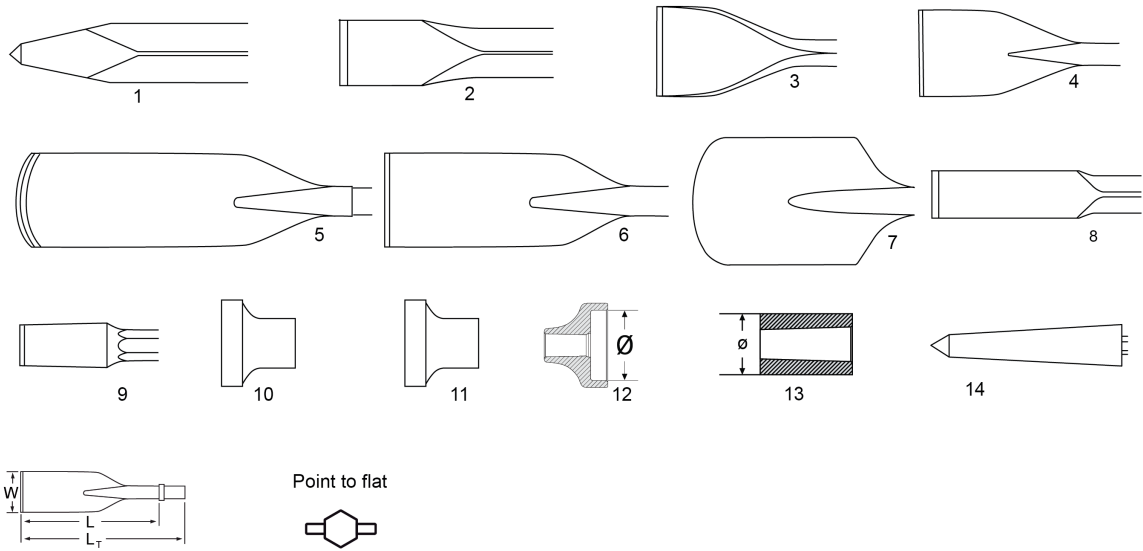
J | W=175 L= - mm, Lt=- mm, Wt=6.1 kg

K | W= Ø100 L= - mm, Lt= - mm, Wt= 2.6 kg

L | W= Ø65 L=- mm, Lt=- mm, Wt=1.9 kg

M | W= 40 L= - mm, Lt= - mm, Wt=2.7 kg

**Working tools** ISO standard hexagon 28 x 160 mm





Item	Part No.	Name	Qty	L
1	3083327100	Collared - Moil point - Hex 28 x 160	1	A
1	3083327200	Moil point	1	B
1	3083327300	Moil point	1	C
2	3083327400	Collared - Narrow chisel H 28 x 160	1	D
2	3083327500	Narrow chisel	1	E
2	3083327600	Narrow chisel	1	F
3	3083327700	Wide chisel	1	G
4	3083327800	Asphalt cutter	1	H
5	3083327900	Digging chisel	1	I
6	3083328000	Digging spade	1	J
7	3083328100	Clay spade	1	K
8	3083328200	Wedge chisel	1	L
9	3083328301	Shaft for tamping pad	1	M
10	3083330100	Tamping pad, round	1	N
11	3083330200	Tamping pad, square	1	O
11	3083319700	Tamping pad, square	1	P
12	3376112079	Driver pad	1	Q
12	3376112077	Driver pad	1	R
13	9245282710	Driver blank	1	S

Comments for Page: ISO standard hexagon 28 x 160 mm

(L)OCAL REMARKS

A | W= - L=380 mm, Lt=545 mm, Wt=2.9 kg

B | W= - L=450 mm, Lt=615 mm, Wt=3.2 kg

C | W= - L=1000 mm, Lt=1165 mm, Wt=6.2 kg

D | W= - L=380 mm, Lt=545 mm, Wt=2.8 kg

E | W= - L=450 mm, Lt=615 mm, Wt=3.3 kg

F | W= - L=1000 mm, Lt=1165 mm, Wt=6.4 kg

G | W=75 L=380 mm, Lt=545 mm, Wt=3.0 kg

H | W= 115 L=300 mm, Lt=465 mm, Wt=3.7 kg

I | W= 75 L=380 mm, Lt=545 mm, Wt=4.1 kg

J | W=125 L= 380 mm, Lt=545 mm, Wt=4.6 kg

K | W= 140 L= 380 mm, Lt= 545 mm, Wt= 4.1 kg

L | W= 40 L=400 mm, Lt=565 mm, Wt=3.9 kg

M | W= - L= 230 mm, Lt= 395 mm, Wt=3.0 kg

N | W= Ø180 L= - mm, Lt= - mm, Wt= 7.1 kg

O | W= 150 L=- mm, Lt=- mm, Wt=8.2 kg

P | W= 200 L= - mm, Lt= - mm, Wt=10.0 kg

Refer to Parts Online for the most up to date information. The printed information might be outdated.

Fri Aug 18 04:49:36 UTC 2017

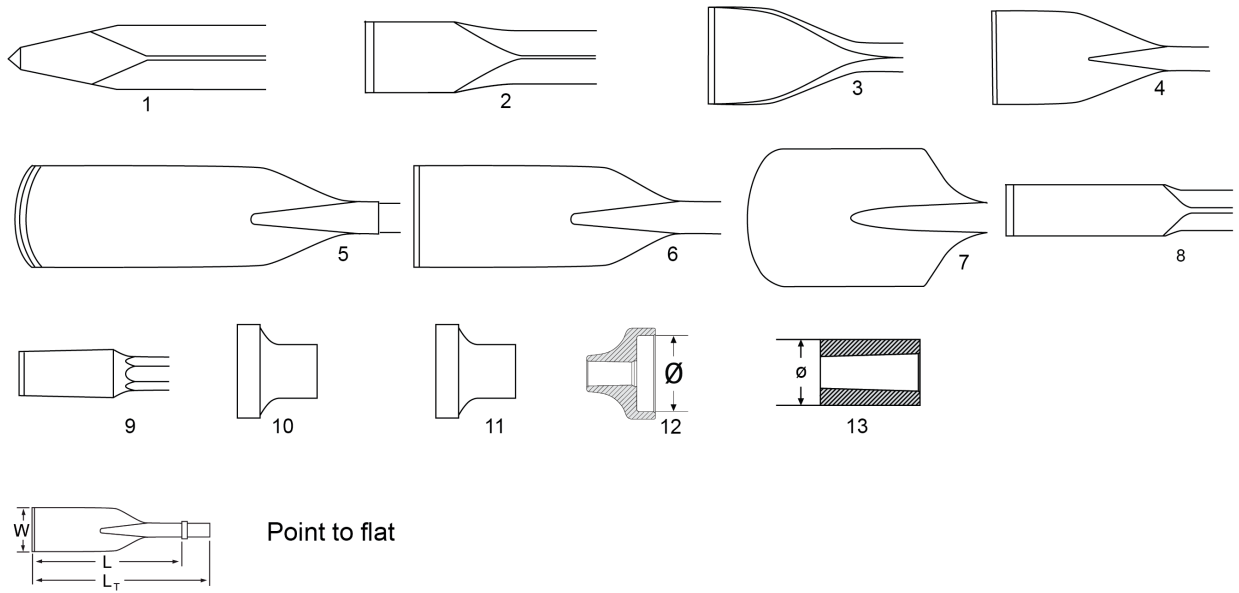
Q | W= Ø120 L= - mm, Lt= - mm, Wt= 7.6 kg

R | W= Ø150 L=- mm, Lt=- mm, Wt=8.7 kg

S | W= Ø80 L= - mm, Lt= - mm, Wt=3.4 kg

This page intentionally left blank

**Working tools** ISO standard hexagon 32 x 160 mm



Item	Part No.	Name	Qty	L
1	3083320500	Collared - Moil point - Hex 32 x 160	1	A
1	3083320600	Moil point	1	B
1	3083320700	Moil point	1	C
2	3083320800	Collared - Narrow chisel - Hex 32 x 160	1	D
2	3083320900	Narrow chisel	1	E
2	3083321000	Narrow chisel	1	F
3	3083321100	Wide chisel	1	G
4	3083321200	Asphalt cutter	1	H
5	3083321300	Digging chisel	1	I
6	3083321400	Digging spade	1	J
7	3083321500	Clay spade	1	K
8	3083321600	Wedge chisel	1	L
9	3083321801	Shaft for tamping pad	1	M
10	3083330100	Tamping pad, round	1	N
11	3083330200	Tamping pad, square	1	O
11	3083319700	Tamping pad, square	1	P
12	3376112079	Driver pad	1	Q
12	3376112077	Driver pad	1	R
13	9245282710	Driver blank	1	S

Comments for Page: ISO standard hexagon 32 x 160 mm

(L)OCAL REMARKS

A | W= - L=380 mm, Lt=545 mm, Wt=3.5 kg

B | W= - L=450 mm, Lt=615 mm, Wt=3.9 kg

C | W= - L=1000 mm, Lt=1165 mm, Wt=7.6 kg

D | W= - L=380 mm, Lt=545 mm, Wt=3.5 kg

E | W= - L=450 mm, Lt=615 mm, Wt=4.0 kg

F | W= - L=1000 mm, Lt=1165 mm, Wt=7.5 kg

G | W=75 L=380 mm, Lt=545 mm, Wt=3.7 kg

H | W= 115 L=300 mm, Lt=465 mm, Wt=4.0 kg

I | W= 75 L=380 mm, Lt=545 mm, Wt=4.4 kg

J | W=125 L= 380 mm, Lt=545 mm, Wt=4.9 kg

K | W= 140 L= 380 mm, Lt= 545 mm, Wt= 4.4 kg

L | W= 40 L=400 mm, Lt=565 mm, Wt=3.8 kg

M | W= - L= 235 mm, Lt= 400 mm, Wt=3.1 kg

N | W=Ø180 L=- mm, Lt= - mm, Wt=7.1 kg

O | W= 150 L= - mm, Lt= - mm, Wt=8.2 kg

P | W= 200 L=- mm, Lt=- mm, Wt=10.0 kg

Refer to Parts Online for the most up to date information. The printed information might be outdated.

Fri Aug 18 04:49:36 UTC 2017

Q | W=Ø120 L= - mm, Lt=- mm, Wt=7.6 kg

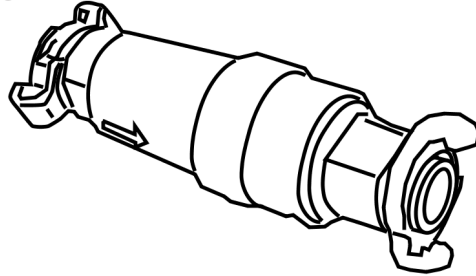
R | W= Ø150 L= - mm, Lt= - mm, Wt=8.7 kg

S | W= Ø80 L=- mm, Lt=- mm, Wt=3.4 kg

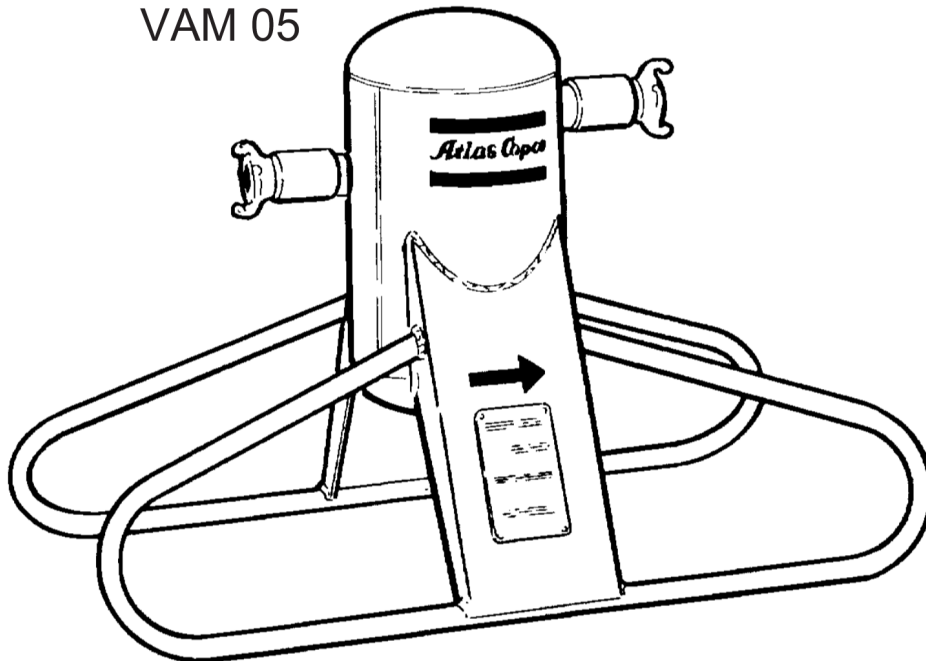
This page intentionally left blank

**Options / accessories** Water separator

VAM 01



VAM 05





Item	Part No.	Name	Qty	L
1	8092011058	Water separator VAM 01, European type claw couplings	1	A
2	8092011059	Water separator VAM 01, US type claw couplings	1	B
3	8092011082	Water separator VAM 5A, European type claw couplings	1	C
4	8092011083	Water separator VAM 5A, US type claw couplings	1	D

Comments for Page: Water separator

(L)OCAL REMARKS

A | Airflow < 50 l/s

Airflow < 106 ft<sup>3</sup>/min

B | Airflow < 50 l/s

Airflow < 106 ft<sup>3</sup>/min

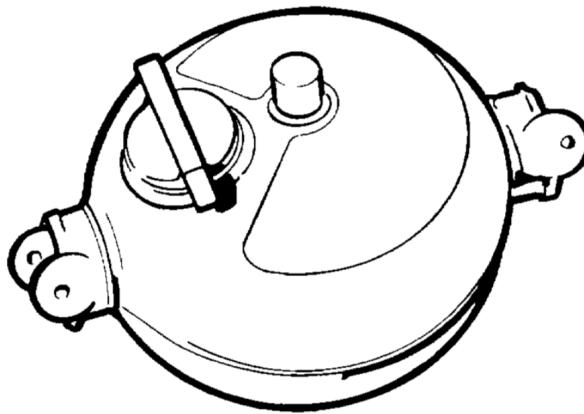
C | Airflow < 120 l/s

Airflow < 254 ft<sup>3</sup>/min

D | Airflow < 120 l/s

Airflow < 254 ft<sup>3</sup>/min

**Options / accessories** Lubricator



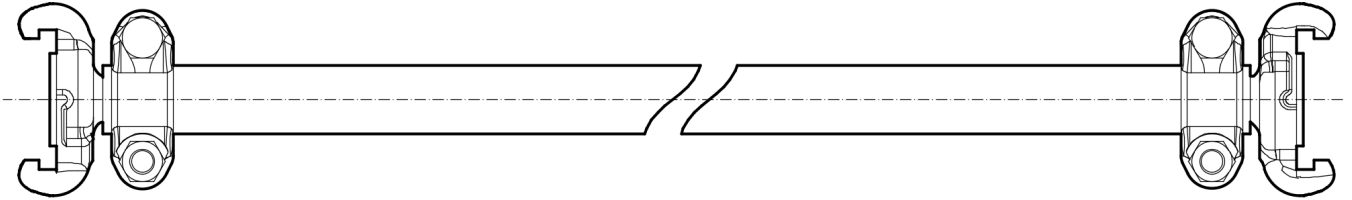
Item	Part No.	Name	Qty	L
1	8202510239	Lubricator CLG 30	1	A
2	8202510240	Lubricator CLG 30, US type claw couplings	1	A

Comments for Page: Lubricator

(L)OCAL REMARKS

A | For mineral and synthetic oil

**Options / accessories** Pre-mounted hoses



Item	Part No.	Name	Qty	L
1	9030211515	X-LITE flat hose 15 m (Pre-mounted-EU forged claw couplings)	1	A
2	-	Claw coupling, complete	2	
3	-	Hose clamp	2	
4	-	Flat hose	1	
5	9030216000	X-LITE flat hose 15 m (Pre-mounted-US casted claw couplings)	1	B
6	-	Claw coupling, complete	2	
7	-	Hose clamp	2	
8	-	Flat hose	1	
9	9030210000	Rubber hose 3 m (pre-mounted with European type claw couplings)	1	C
10	-	Rubber hose	1	
11	-	Hose clamp	2	
12	-	Claw coupling, complete	2	
13	9030204900	Round rubber hose 15 m (pre-mounted-EU forged claw couplings)	1	D
14	-	Claw coupling, complete	2	
15	-	Hose clamp	2	
16	-	Rubber hose	1	
17	9030211500	X-LITE flat hose 20 m (pre-mounted-EU forged claw couplings)	1	E
18	-	Claw coupling, complete	2	
19	-	Hose clamp	2	
20	-	Flat hose	1	

Comments for Page: Pre-mounted hoses

A | Length = 15 m (49 ft), Inner diameter = 20 mm (3/4 in.), Max working pressure = 20 bar (290 psi)

B | Length = 15 m (49 ft), Inner diameter = 20 mm (3/4 in.), Max working pressure = 20 bar (290 psi)

C | Length = 3 m (10 ft), Inner diameter = 20 mm (3/4 in.), Max working pressure = 16 bar (232 psi)

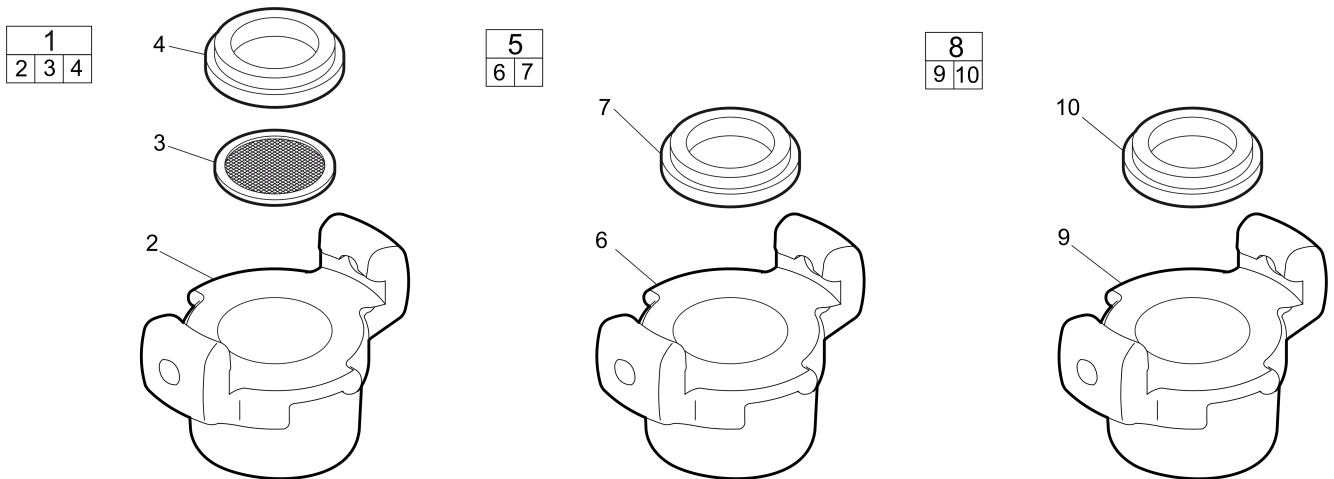
D | Length = 15 m (49 ft), Inner diameter = 20 mm (3/4 in.), Max working pressure = 16 bar (232 psi)

E | Length = 20 m (65 ft), Inner diameter = 20 mm (3/4 in.), Max working pressure = 20 bar (232 psi)

**Options / accessories** Breaker and hammer AIR-OIL

NO EXPLODED VIEW  
AVAILABLE  
FOR THIS BOM

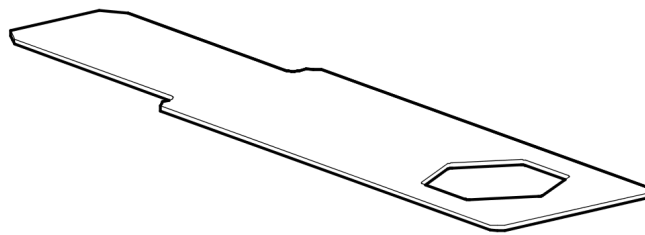
Item	Part No.	Name	Qty	L
1	8099020240	Breaker and hammer AIR-OIL,0.25 l, 0.06 US gallon	1	
2	8099020236	Lubricating oil	1	
3	8099020281	Breaker and hammer AIR-OIL (pack), 1 l , 0.26 US gallon	20	
4	8099020202	Breaker and hammer AIR-OIL, 5 l, 1.32 US gallon	1	
5	8099020285	Breaker and hammer AIR-OIL (pack), 5 l, 1.32 US gallon	4	

**Options / accessories** Claw couplings



Item	Part No.	Name	Qty	L
1	9000030601	Claw coupling with strainer, complete (EU)	1	
2	-	Claw coupling, Standard G3/4 in.	1	
3	9000000010	Strainer	1	
4	9000000000	Packing	1	
5	9000030600	Claw coupling, complete (EU)	1	
6	-	Claw coupling, Standard G3/4 in.	1	
7	9000000000	Packing	1	
8	9001000506	Claw coupling, complete (US)	1	
9	-	Claw coupling, US-universal 3/4 in.	1	
10	9001000515	Gasket	1	

**Options / accessories** Shank gauge



Item	Part No.	Name	Qty	L
-	3310150925	Gauge, hexagon, 25 mm, 1 in.	1	
-	3310150928	Gauge, hexagon, 28 mm, 11/8 in.	1	
-	3310150932	Gauge, hexagon, 32 mm, 11/4 in.	1	

Any unauthorized use or copying of the contents or any part thereof is prohibited.  
This applies in particular to trademarks, model denominations, part numbers, and drawings.

