

US



HAMM

HD
CompactLine

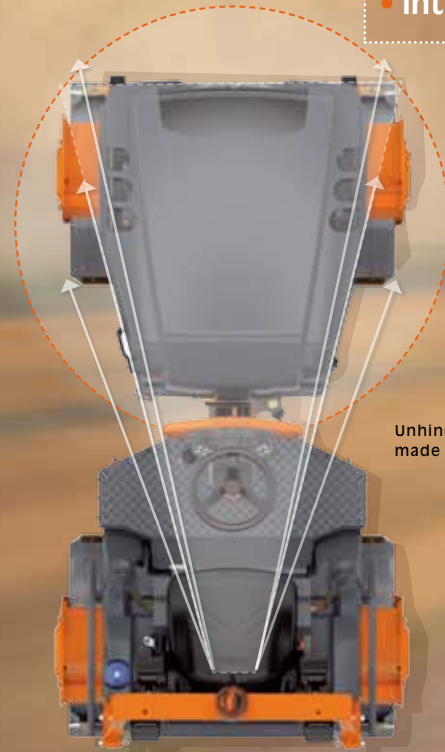


A bird's eye view shows the driver's view of the machine and of the surface being compacted.



An ergonomically-designed grab handle in the center of the machine allows quick and safe access. On the HD 8 - 12, it also serves as the central suspension point for lifting the machine.

- excellent visibility
- outstanding driving comfort
- top-quality compaction performance
- intuitive operation



Unhindered view of the drum edges – made possible by the roller's wasp-waist!

Outstanding visibility

HD CompactLine rollers offer operators an unrestricted view of the drum edges and the work area in front, behind and at the sides of the machine. Excellent visibility is achieved thanks to a clever design idea: mounting the engine longitudinally. The engine cover was accordingly designed with a conical profile – thus producing the “wasp-waist” outline.



Compact construction

Even when the going gets tight, HD CompactLine rollers can work nearly everywhere – the compact construction of these tandem rollers makes them slim enough for most jobs. And with their low height they can ideally be used in areas with low ceiling heights. With the optional foldable ROPS the rollers can be made even smaller for transport.

Outstanding driving comfort

Thanks to the three-point articulated joint and the flexible positioning of the driver's seat, HD CompactLine rollers offer a unique level of driving comfort. The articulation joint effectively acts as a shock absorber and provides excellent directional stability and good stability in turns.

CompactLine HD 8 – HD 14

The flexible all-rounder

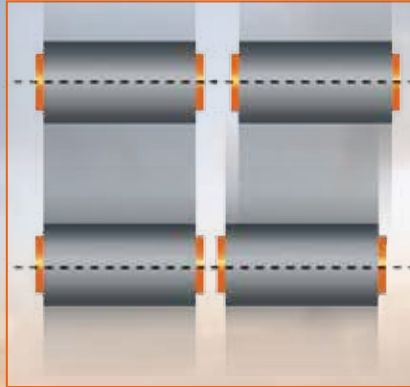


Compaction power that sets a benchmark

HD CompactLine rollers have significantly larger drum diameters than those found on other machines in their class. High levels of compaction performance – primarily via vibration compaction – are combined with extremely low centers of gravity: depending on the model, the centrifugal force can be up to 80% greater than that of comparable machines in the same class. In addition, the three-point articulation joint ensures uniform weight distribution between the front and rear drums.

Side clearance – a serial feature

All HD CompactLine rollers offer excellent side clearance. Machines with weights of 2.5 ton and up (HD 10 – HD 14) with drums supported on both sides can be operated with an offset of 2" (50 mm), allowing for excellent compaction even on narrow lanes and along curbs.



HD 10 – HD 14: 2" (50 mm) offset to one side in crab steering mode.



The HD CompactLine range impresses both with its performance as well as with environmental protection. Despite exceptionally high engine power – especially with the larger machines in the series – noise levels are very low.

"Clear side": compaction right up to the edge

The clever "clear side" design of the HD 8 and HD 10C allows for compaction right up to the edge: the drums are mounted on only one side and laterally offset by 2.2" (56 mm). No other components jut out beyond the working width. The drum offset ensures that the rollers are always maneuverable, because steering is possible at all times.



Single-side drum support on the HD 8 and HD 10C models ensures compaction up to the edge.



Quality and performance to meet the highest requirements



The CompactLine range lives up to its name: the HD 8 – HD 14 tandem rollers offer compact dimensions, sensational compaction power and high levels of side clearance.

HD CompactLine

▶ The new generation HD series

1 ▶ Excellent visibility

A conical front frame and the longitudinal mounting of the engine allow a unobstructed view of the drum edges, the machine controls and the work area.

2 ▶ Grab handle

2 in 1: the access handle also serves as a central suspension point for loading and unloading the machine (HD 8 – HD 12).

18 ▶ Control panel

Language-neutral, intuitive operation. The control panel is lockable for secure protection against vandalism.

17 ▶ Levers

Two levers for comfortable left- or right-handed operation (second lever is optional on the HD 8 and HD 10C).

16 ▶ Up-to-date engine technology

KUBOTA water-cooled 3 or 4 cylinder engine with indirect injection. Engines on HD 10 – HD 14 models meet EU Stage III A and US EPA Tier IV Interim requirements and those fitted on the HD 8 and HD 10C models already comply with US EPA Tier IV Final specifications. Low noise levels and extremely safe operation guaranteed.

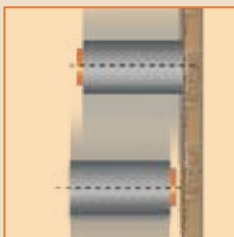
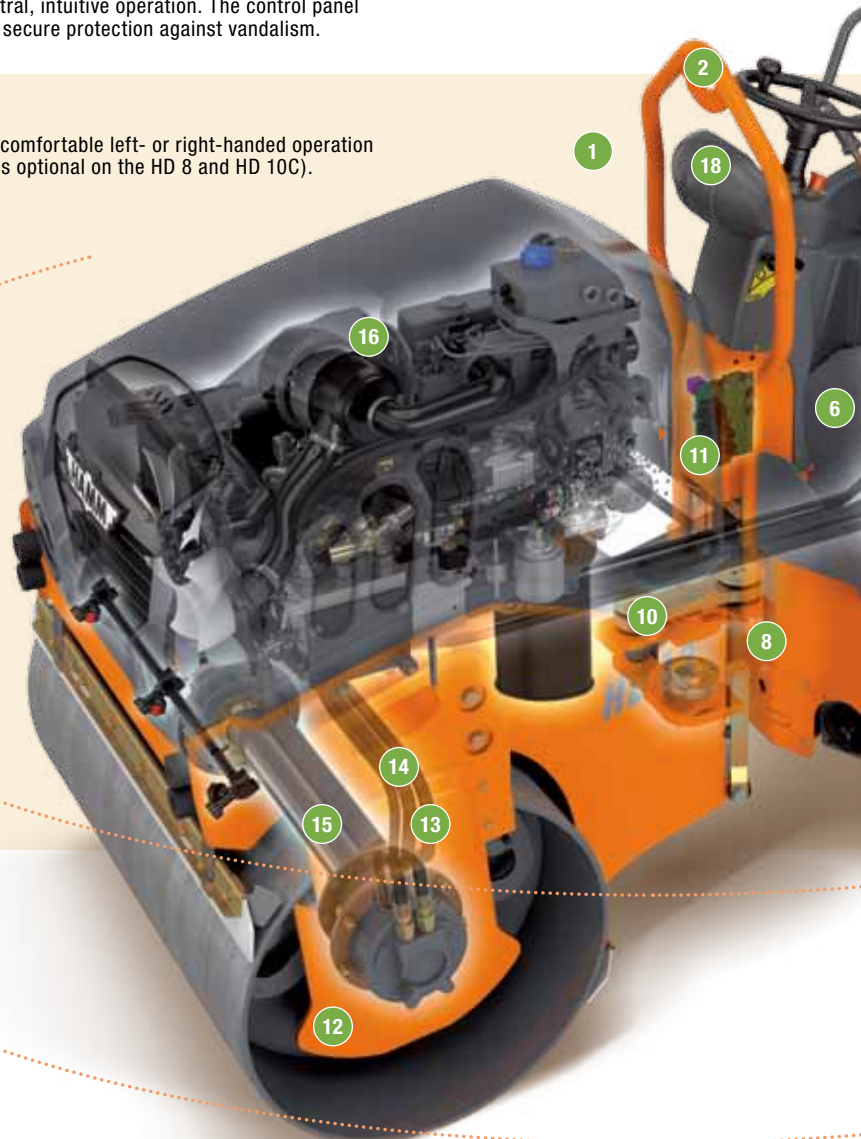
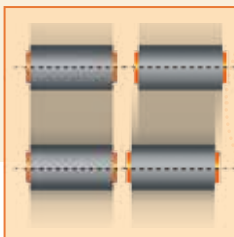


15 ▶ Vibration

All tandem rollers are fitted with vibrating units in both drums.

14 ▶ Crab offset

2" (50 mm) offset on all machine models from 2.5 ton and up (HD 10 – HD 14). This provides optimal maneuverability in narrow spaces, restricted areas and around obstacles.



13 ▶ Clear Side

Compaction right up to the edge: single-side drum support on the HD 8 and HD 10C models ensures complete compaction right up to the edge. 2.2" (56 mm) drum offset for excellent steering and maneuverability in any situation.



12 ▶ Attachments

Edge pressing and cutting equipment including track indicator for clean chamfering of the roadway. Can be mounted on the left, on the right, or on both sides of the machine. Clearly visible from the operator's platform. Available on the HD 10 – HD 14 models.



3 ▶ ROPS

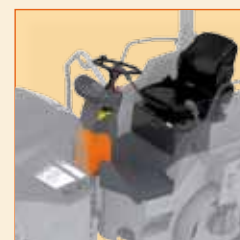
Maximum safety with the 2 post ROPS. Optionally available with simple folding mechanism for maximum flexibility during transport.

4 ▶ Water and diesel tanks

Generous tank volumes for fuel and water storage. Easy refilling and refuelling.

5 ▶ Operator's platform

Operating platform entirely insulated against vibration for maximum operator's comfort. Vibration stresses significantly reduced thanks to the mechanical isolation of the operator's seat, steering column, levers and floor plate from the frame.



6 ▶ Freedom of movement

Large operator's platform with maximum legroom. Seat can be adjusted forwards or backwards. With the HD 10 to HD 14, seats can also be adjusted side to side, ensuring optimal views of the drum edges.

7 ▶ Large drum diameters

Drums with large diameters reduce tears and overlaps, ensuring high-quality compaction.

8 ▶ Low center of gravity

Low center of gravity thanks to intelligent positioning of components. Excellent stability due to the three-point articulation joint.

9 ▶ Water filter

Self-cleaning water filter and water drain positioned at lowest point of the machine for complete drainage.



11 ▶ Central electric

Central electric fuse and relay panel incorporated in the steering column for rapid servicing and easy maintenance.

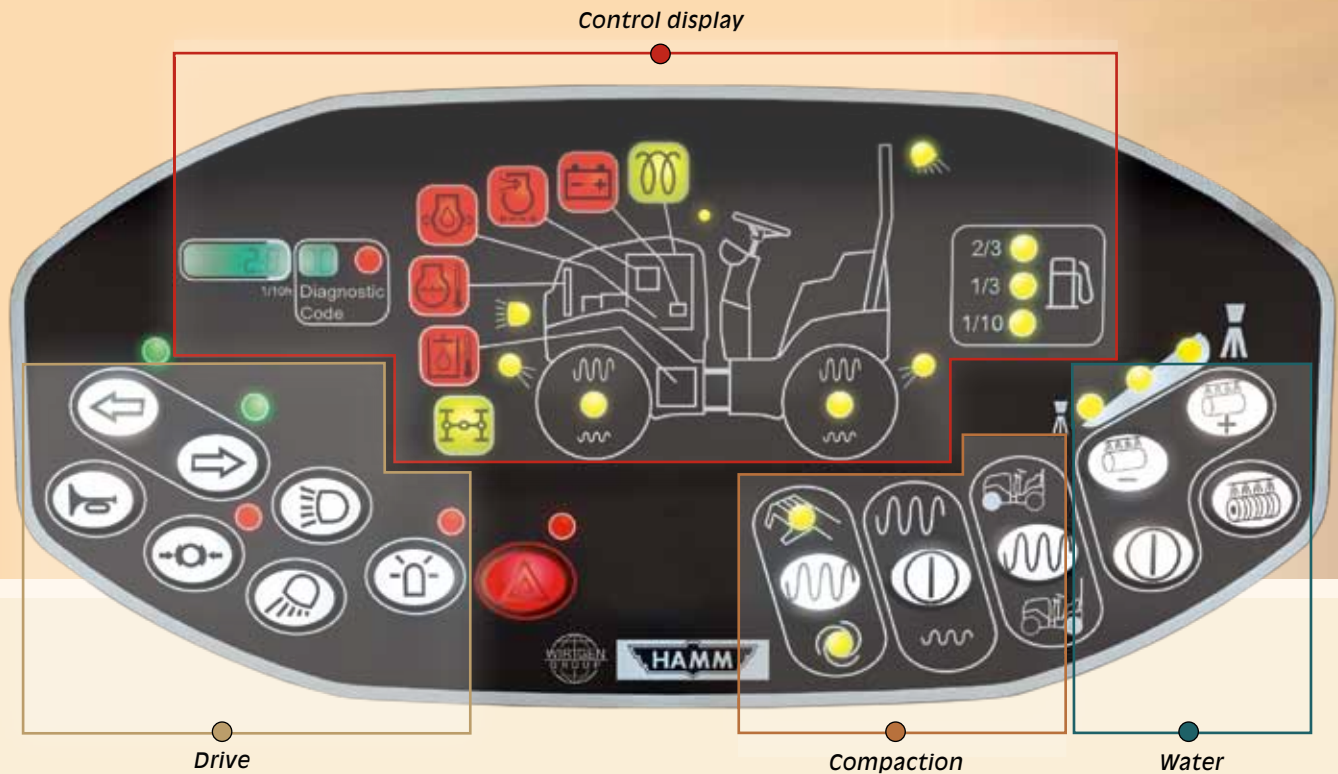
10 ▶ Articulation joint

High level of driving comfort thanks to the three point articulation joint: effective shock absorption, outstanding directional stability, good stability in turns, and even weight distribution between front and rear drums.



Type	Operating wgt lbs. (kg)	Drum width in. (mm)	Engine Power HP (kW)
HD 8 VV	3,373 (1,530)	31.5 (800)	20 (14,8)
HD 10C VV	3,682 (1,670)	39.4 (1,000)	20 (14,8)
HD 10 VV	5,467 (2,480)	39.4 (1,000)	30.7 (22,9)
HD 10 VT	5,148 (2,335)	39.4 (1,000)	30.7 (22,9)
HD 12 VV	5,964 (2,705)	47.2 (1,200)	30.7 (22,9)
HD 12 VT	5,776 (2,620)	47.2 (1,200)	30.7 (22,9)
HD 13 VV	8,752 (3,970)	51.2 (1,300)	46.4 (34,6)
HD 13 VT	8,422 (3,820)	51.2 (1,300)	46.4 (34,6)
HD 14 VV	9,579 (4,345)	54.3 (1,380)	46.4 (34,6)
HD 14 VT	8,785 (3,985)	54.3 (1,380)	46.4 (34,6)

Intuitive operation



One glance is sufficient ...

... for any roller operator to get started. HD CompactLine operation can be mastered in just a few minutes. The clear symbols of the control panel makes operation intuitive.

The smaller rollers, in particular, are often driven by different machine operators. The intuitive functioning of the HD CompactLine models ensures both safety and efficient operation, achieving safe and productive compaction right from the start. This is a tangible advantage and one particularly valued by rental companies. They opt for HD 8 – HD 14 rollers because they are compact, efficient, and easy to operate.



Water and additive sprinkling constant control can be activated via a foot switch.



The driver's seat can be effortlessly shifted from one side to the other (HD 10 – HD 14).



Ergonomically designed and conveniently positioned control lever.



Comfort & design

Maximum freedom of movement

The innovative shape with the wasp-waist provides a variety of advantages, including not only outstanding visibility but also a comfortable driving position, offering more legroom that is unmatched in rollers of this class.



Even tall drivers with long legs can work comfortably on the extra-wide operating platform.

Vibration-insulated controls and operating platform

The driver's seat, steering column, lever and floor plate are isolated from the frame. This significantly reduces the degree of vibration experienced by the driver and makes working with HD CompactLine rollers even more enjoyable.

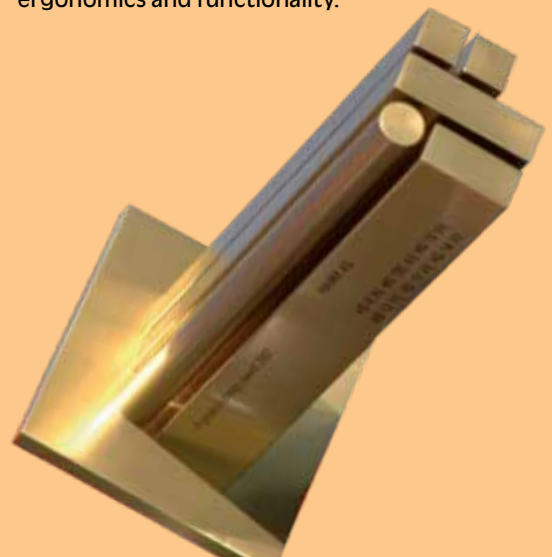


The isolated driver's platform helps prevent transmission of machine vibration to the operating platform.



Outstanding design

As the only machines in its class, HAMM's CompactLine rollers have been recognized numerous times for their excellent design features. The tandem rollers with articulation joint have won two of the leading international design prizes: the "iF Gold Award" and the "red dot". The jurors were particularly impressed with the high level of aesthetic quality coupled with outstanding ergonomics and functionality.



Versatility



Talented all-rounder

These articulated, tandem rollers are designed to cope with a wide range of terrains and surface conditions. They are able to compact both road beds and binder courses, as well as all standard and special asphalts currently used in road construction. Rollers in the 2.5 – 4 ton range (HD 10 – HD 14) are particularly suited for the compaction of open-graded asphalts.

The rollers are also perfectly suited for compaction in building construction, for example within structures. Their excellent climbing ability even on steep inclines makes them ideal for operation in multi-level parking garages. Another important application is the compaction of non-cohesive surfaces such as gravel, chips or even sand in landscaping.

Rapid loading

HAMM ensured that the HD CompactLine rollers are quickly ready for operation by designing the machines for rapid loading: via the centrally positioned nook in the grab handle, tandem rollers HD 8 to HD 12 are swiftly loaded. Additional lashing points ensure that the rollers can be quickly and safely secured to the transporting vehicle.

Combating vandalism

Construction sites are often poorly monitored overnight and at weekends. A robust, lockable cover prevents access to the control panel and thus protects the smaller rollers of the HD series from any unauthorized interference.

The right machine for every job: with 11 rollers ranging from 31.5" - 54" (0.8 – 1.40 m) drum width and from 1.5 – 4.5 tons in weight, the HD CompactLine range covers every application requirement.



The protective cover prevents unauthorized operation and deters vandalism.



Easy servicing = good servicing

Rapid servicing

HD CompactLine rollers are quickly serviced and easy to maintain. All important servicing points of the engine and hydraulic system are arranged on one side. They are quickly and easily identified under a wide-opening engine cover and are readily accessible without the need for additional tools.

The water tank drain is located at the lowest point of the machine – with easy access. The water tank and its associated circuitry can be fully drained by a simple manual operation.



Large filling nozzle for hydraulic oil.



Easily accessible filters.



Convenient inspection – thanks to the wide-opening engine cover.



Easily accessible: the well-positioned engine oil dipstick.



Inspection in a matter of seconds: the large-sized, self-cleaning water filter is located directly behind the tank lock.





WIRTGEN AMERICA

HAMM Compaction Division
6030 Dana Way
Antioch, TN 37013
Tel 615-501-0600
Fax 615-501-0691
www.wirtgenamerica.com