



RUBI

**SLAB
TRANS
HEAVY DUTY**

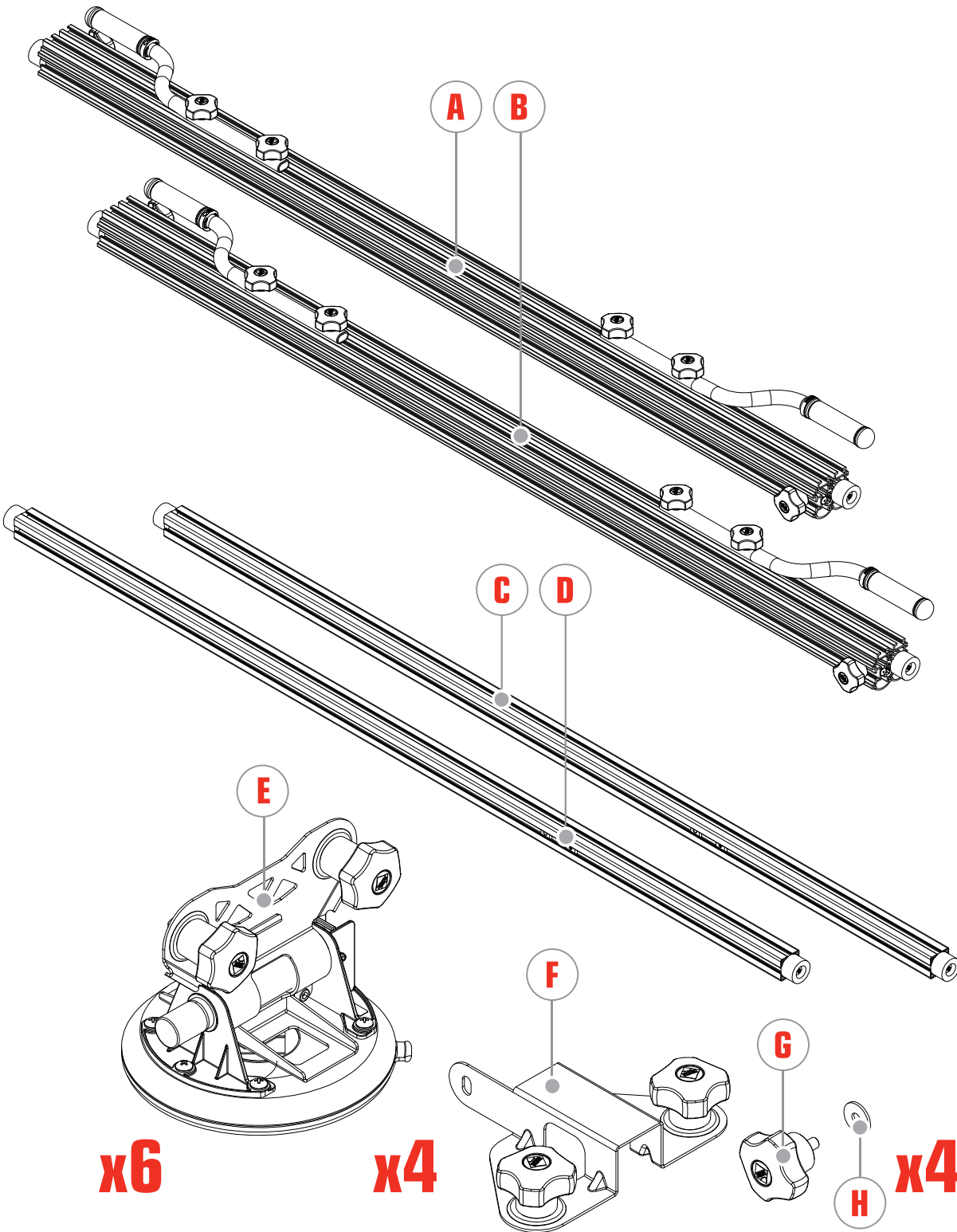


www.rubi.com/p/18936

				
-------------------------------------------------------------------------------------	-------------------------------------------------------------------------------------	-------------------------------------------------------------------------------------	-------------------------------------------------------------------------------------	-------------------------------------------------------------------------------------



CONTENT





SECURITY MEASURES

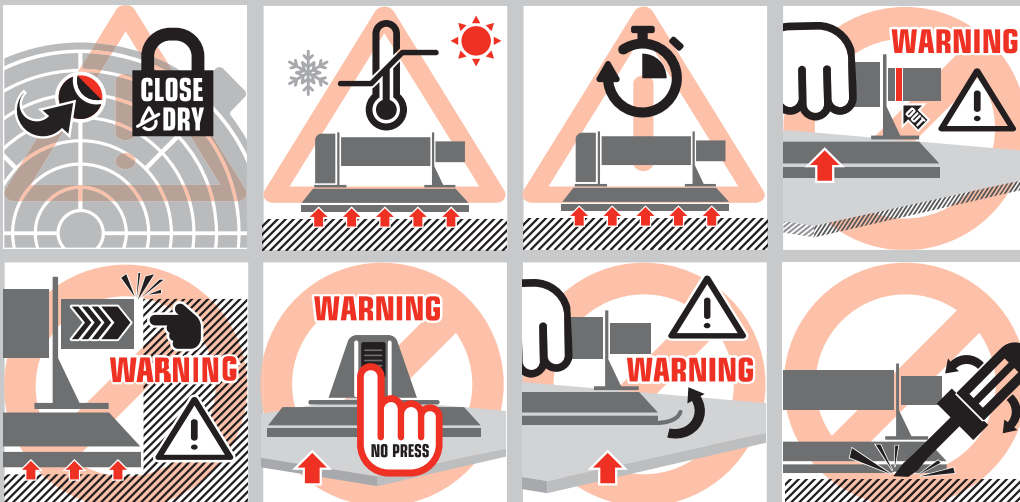


Suction cup

Before each use

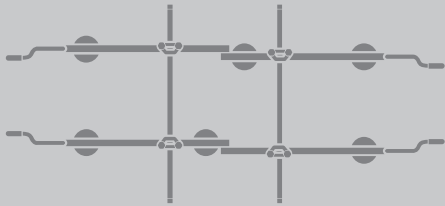


During use





SECURITY MEASURES



SLAB TRANS HEAVY DUTY

Before each use



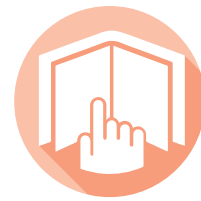
Protective footwear must be worn



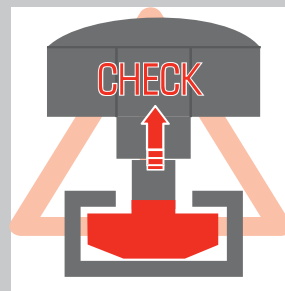
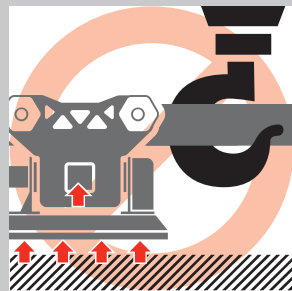
Safety gloves must be worn



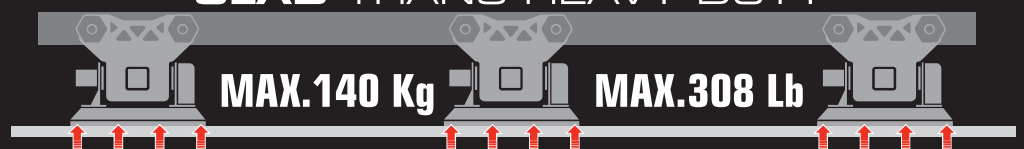
Wear high visibility jacket



Read the instructions



SLAB TRANS HEAVY DUTY

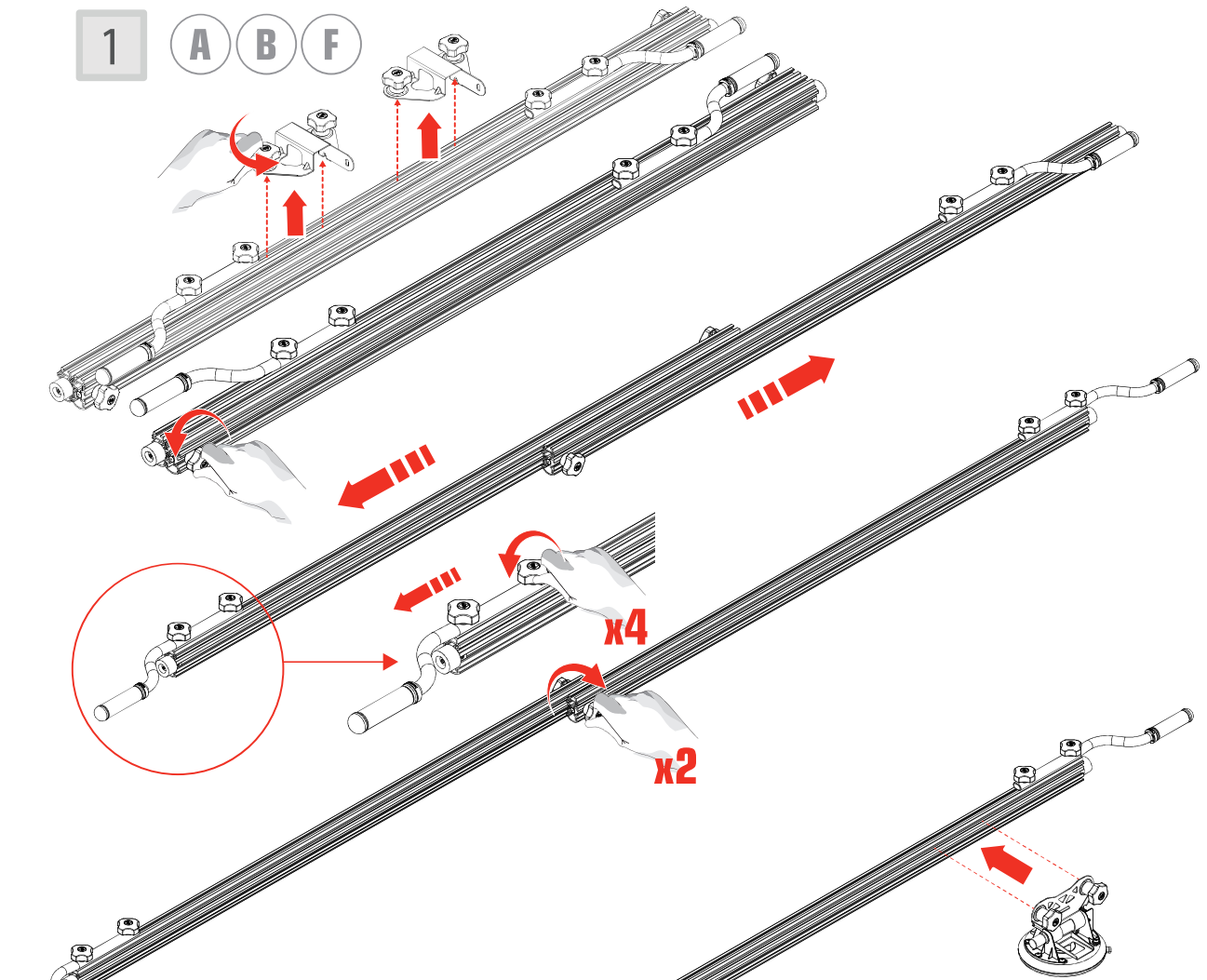


SLAB TRANS HEAVY DUTY

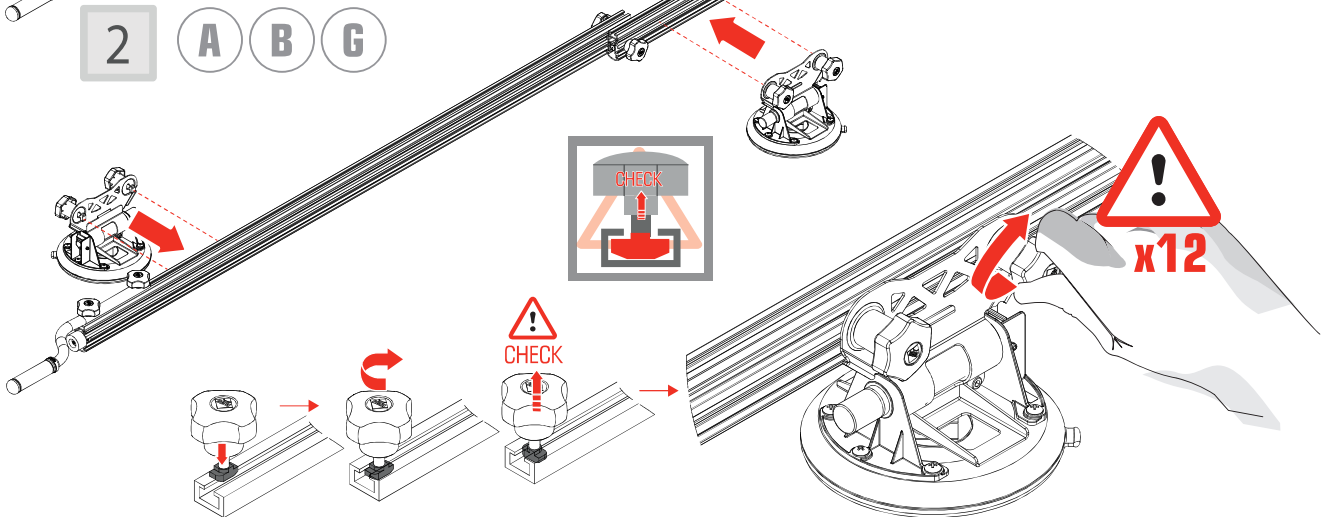


SET UP

1 A B F

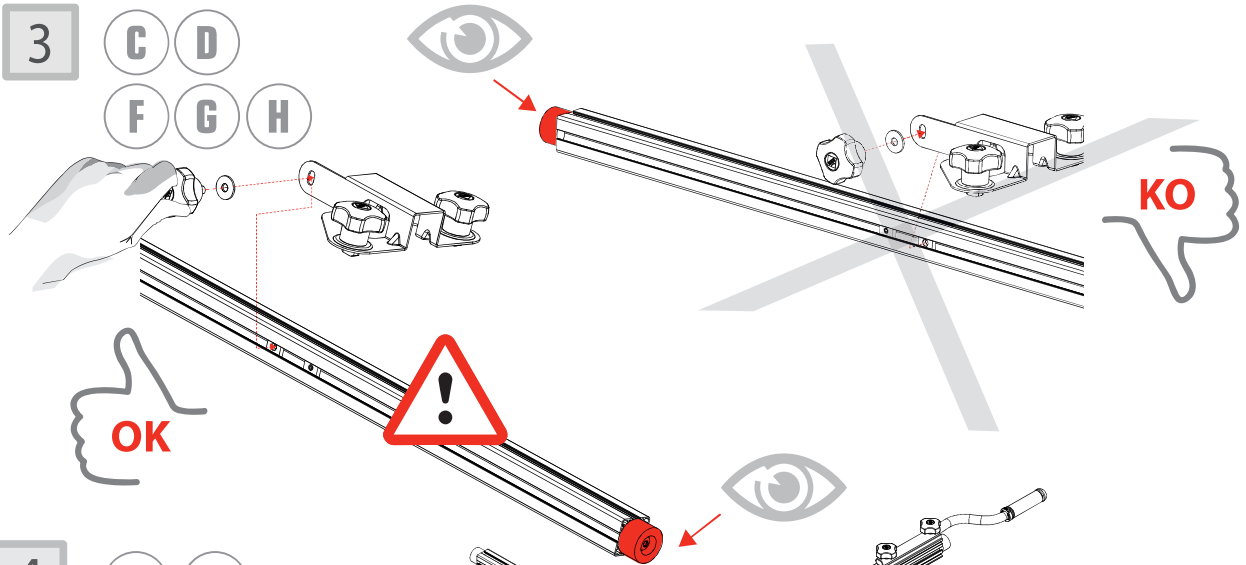


2 A B G



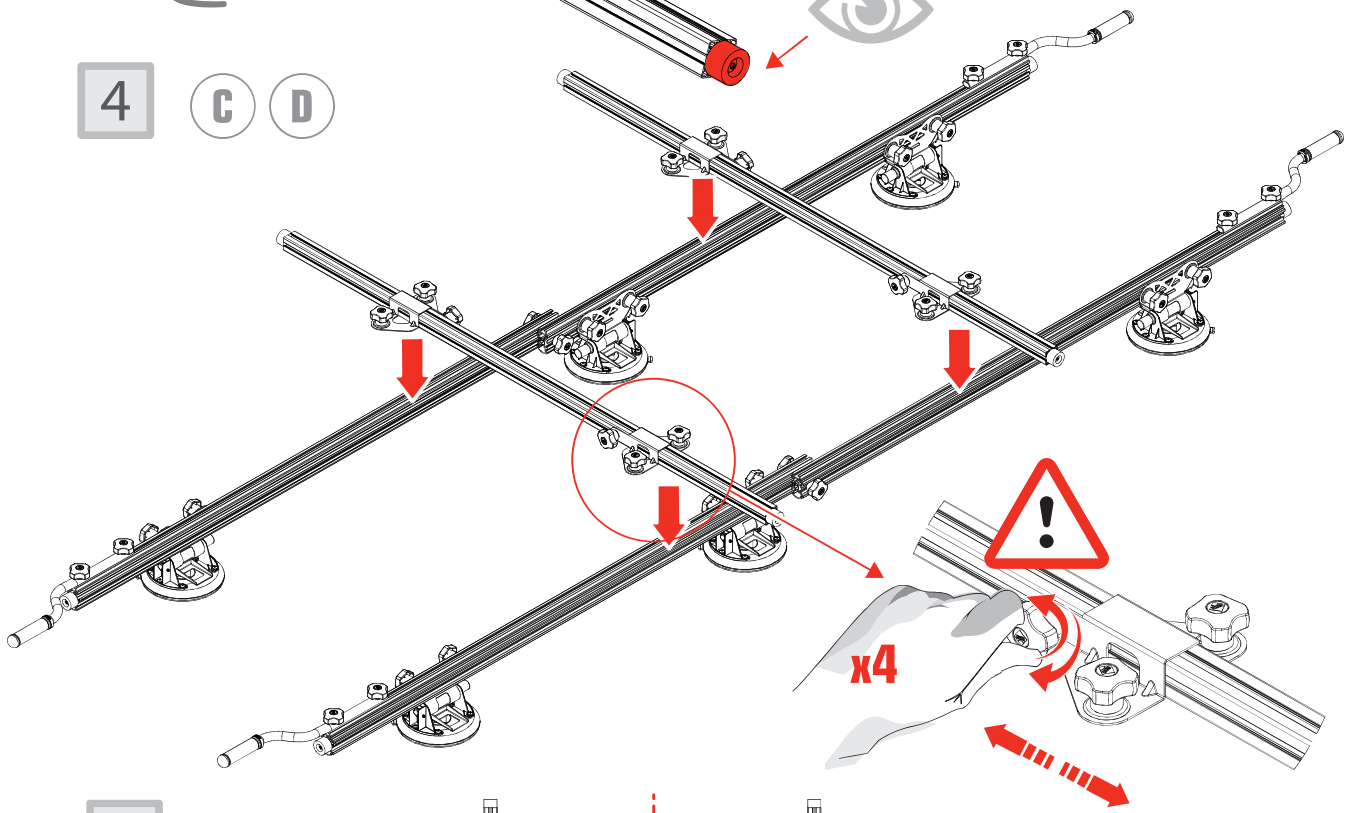
3

C D
F G H

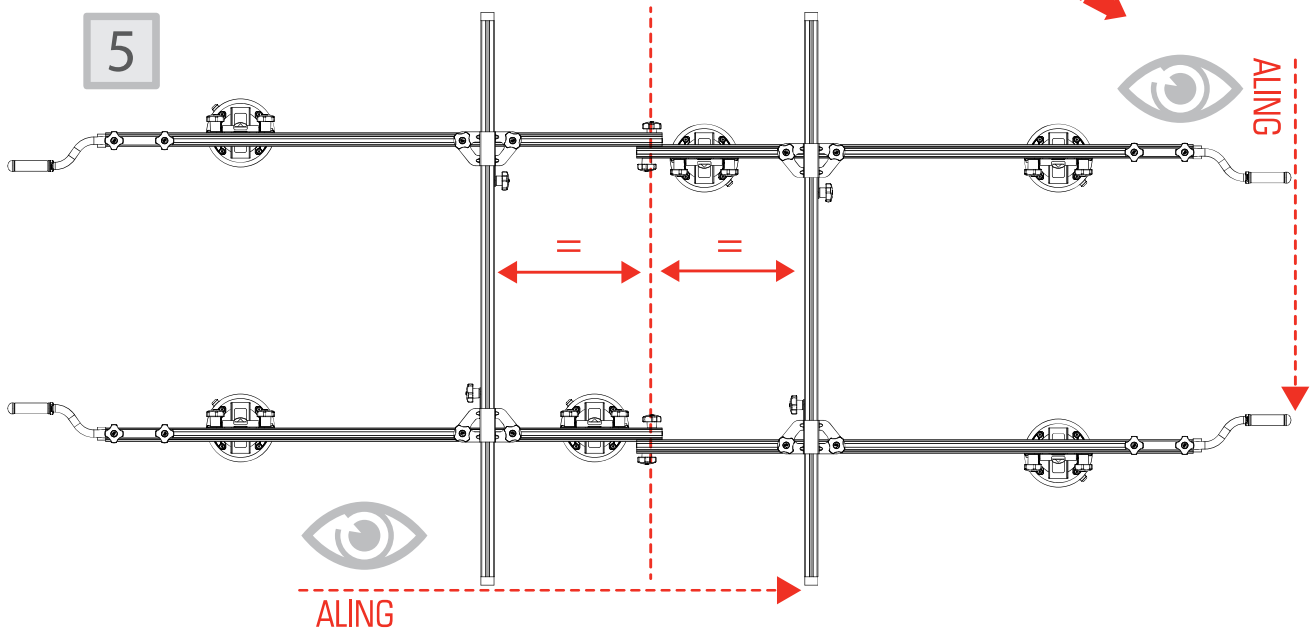


4

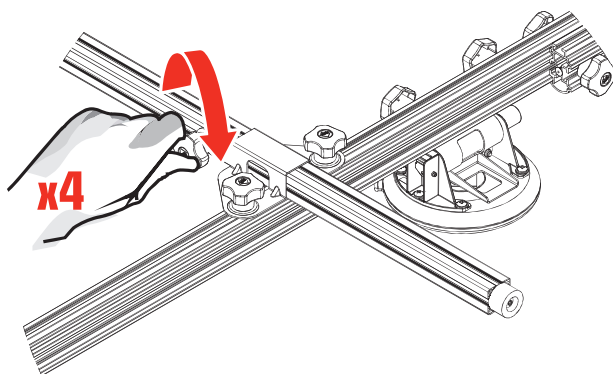
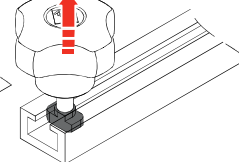
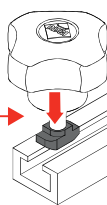
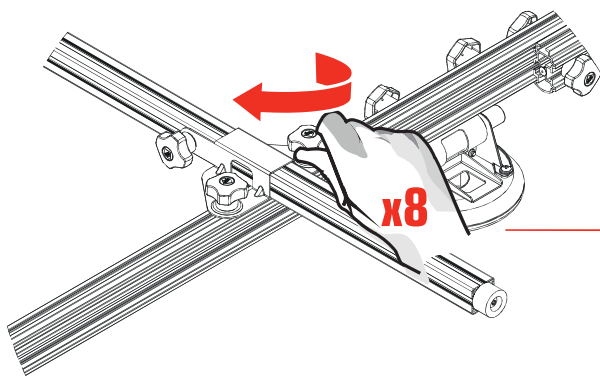
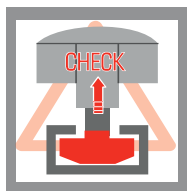
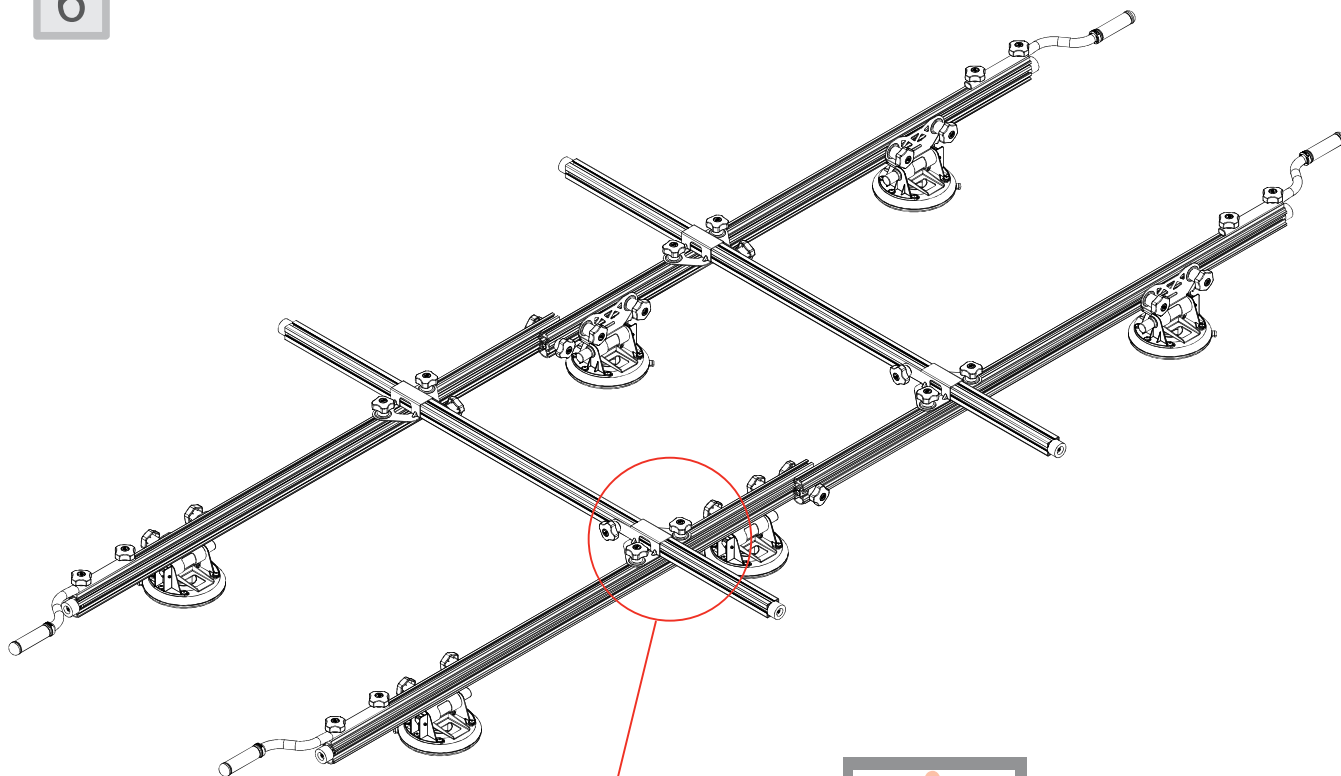
C D



5

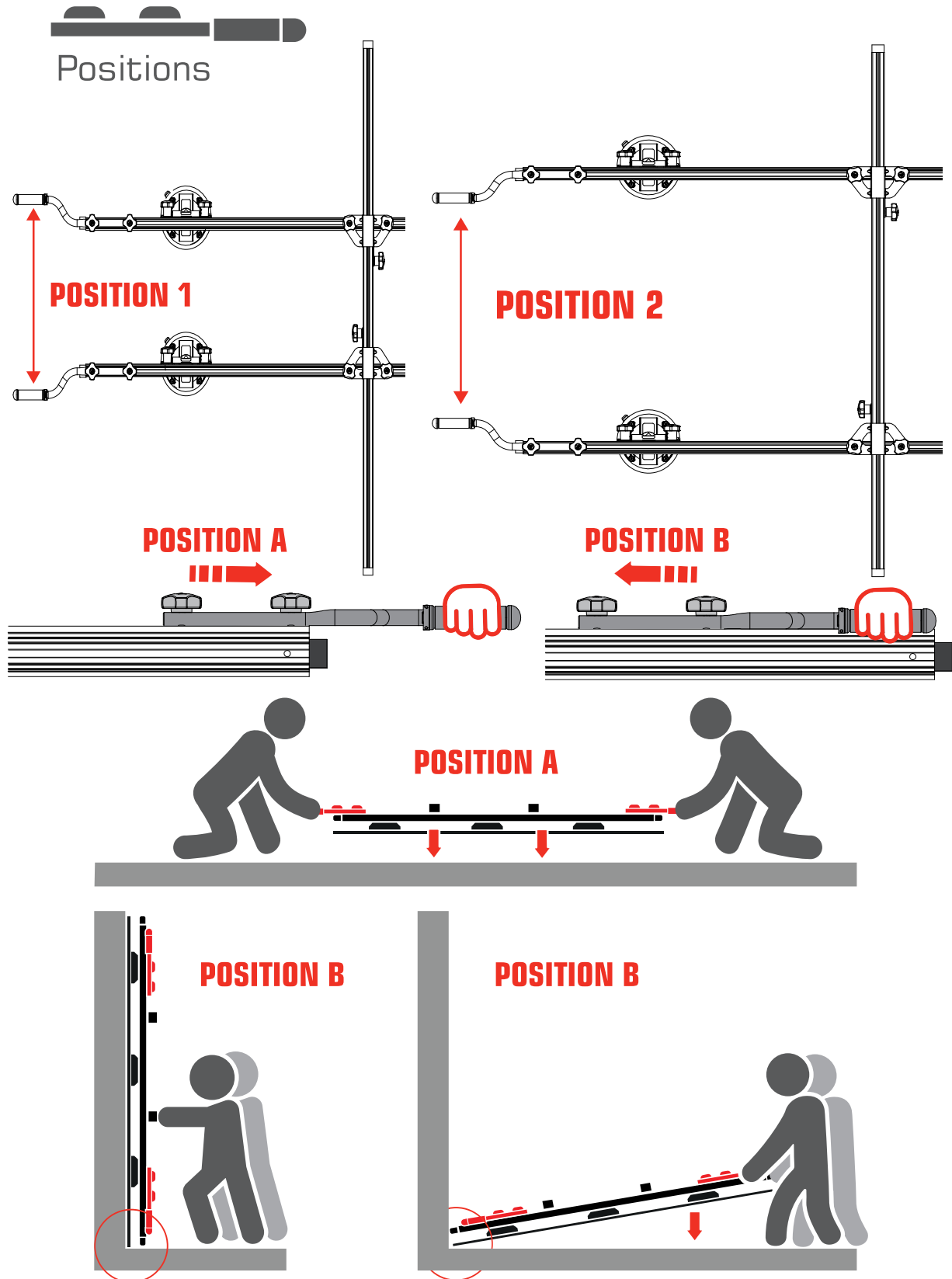


6





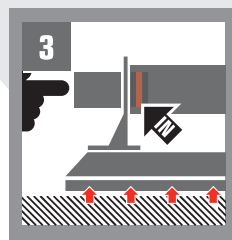
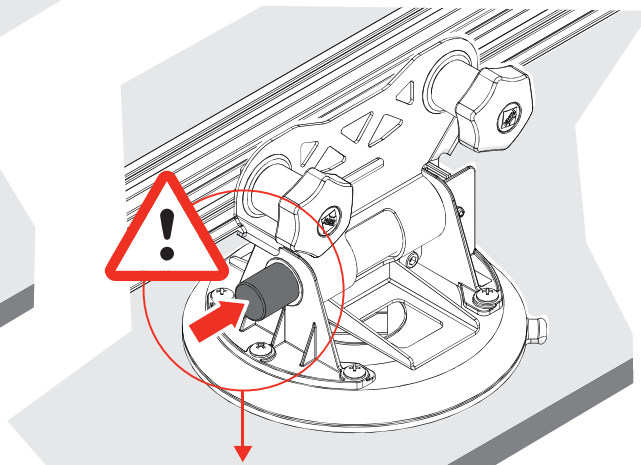
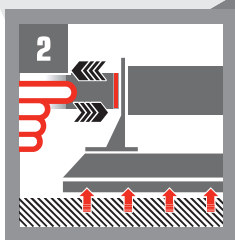
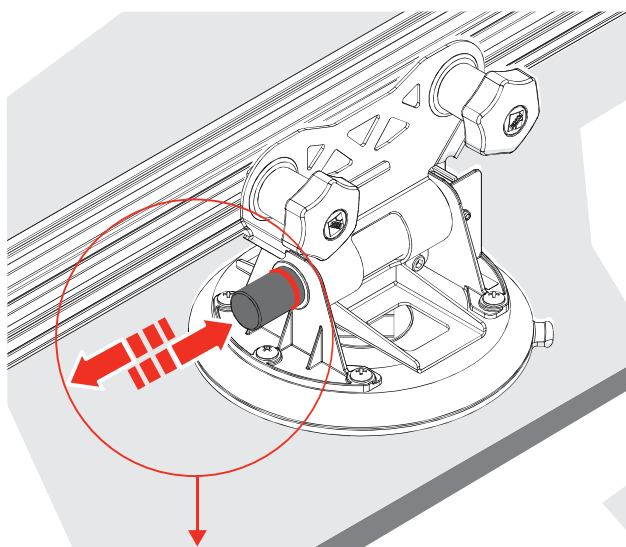
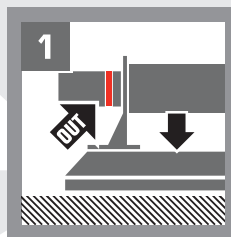
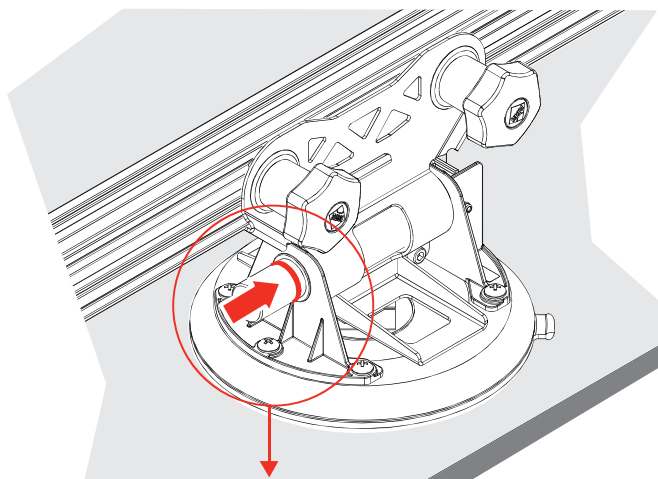
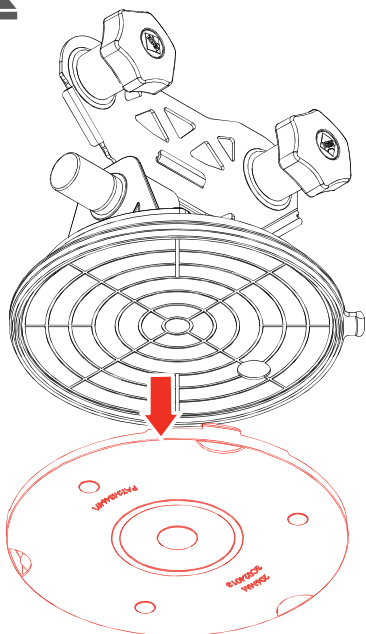
INSTRUCTIONS FOR USE



SLAB TRANS HEAVY DUTY



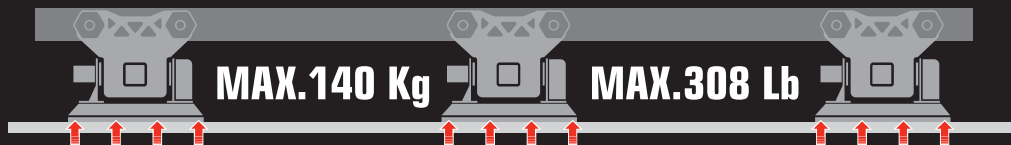
Adhere



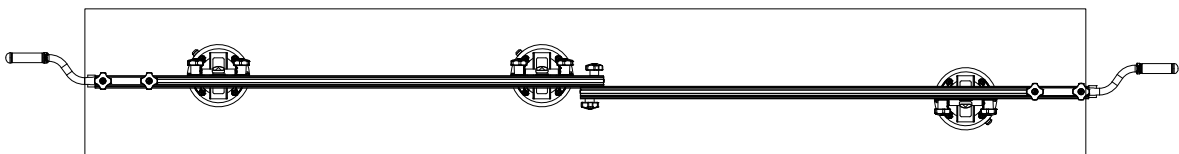
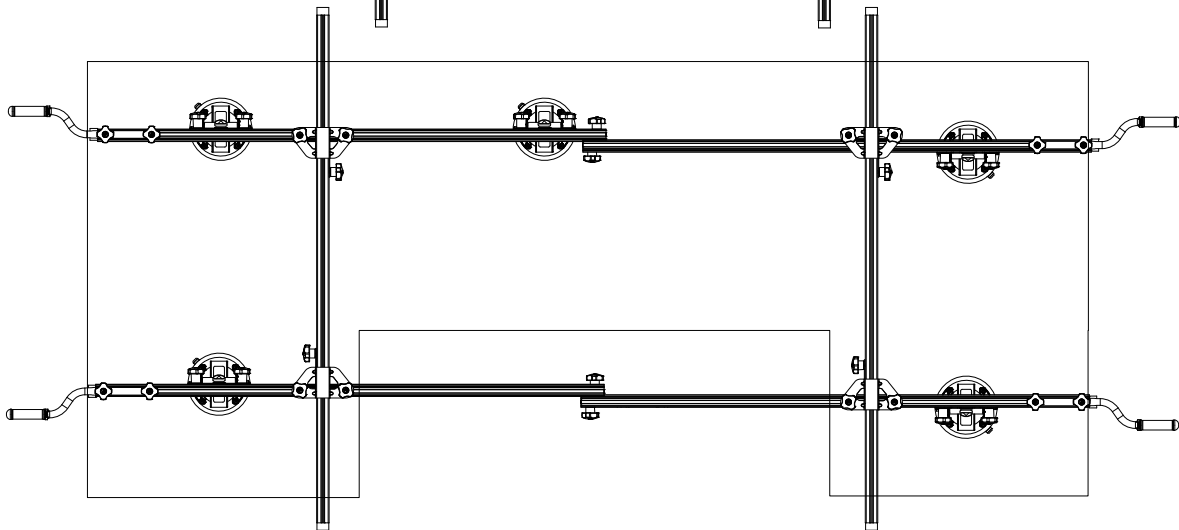
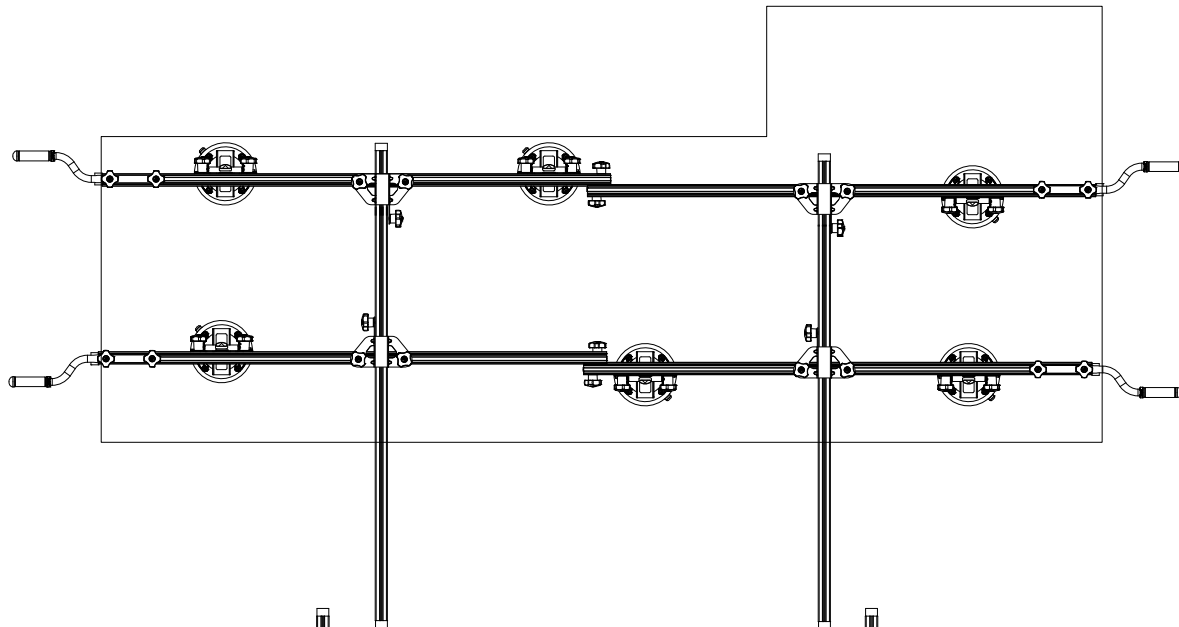
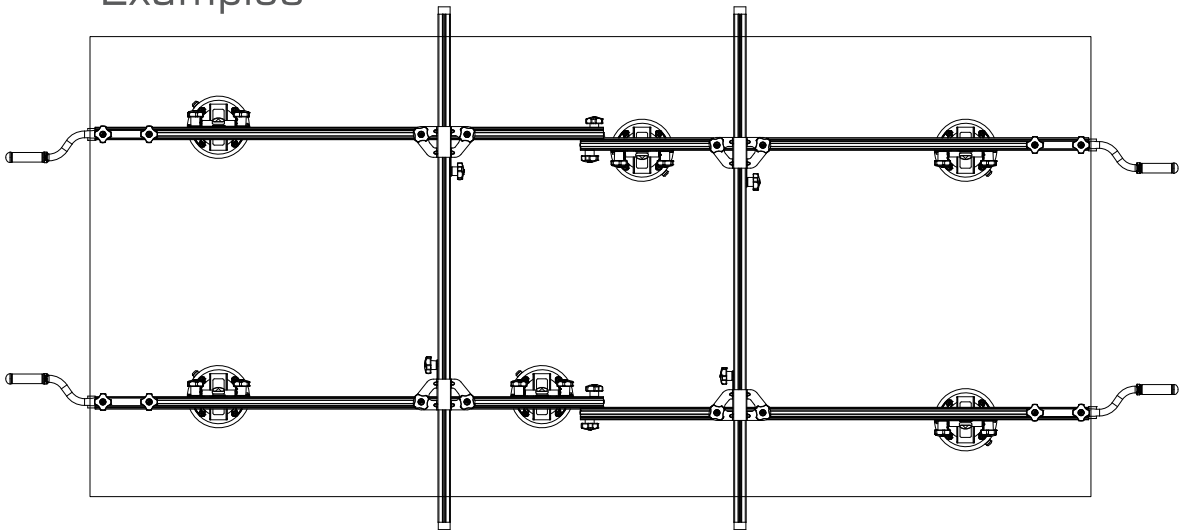
SLAB TRANS HEAVY DUTY

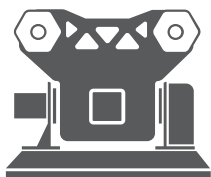
MAX.140 Kg

MAX.308 Lb

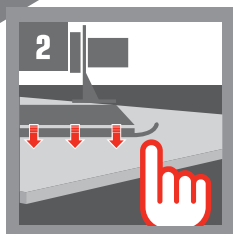
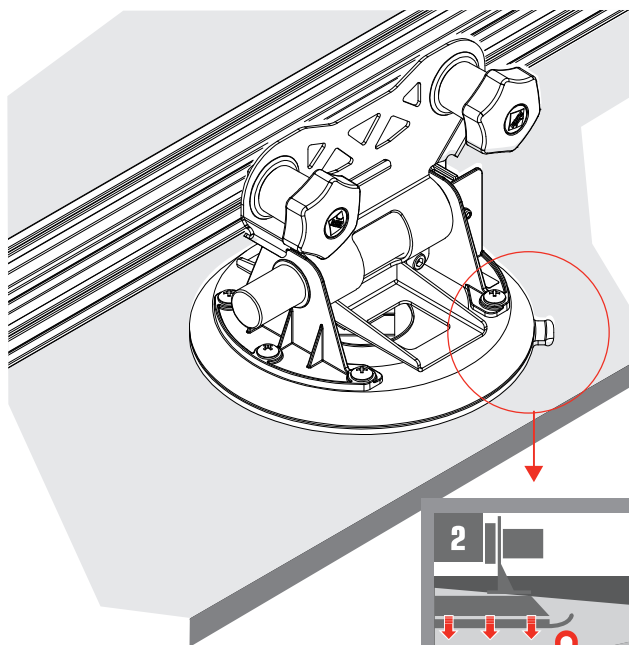
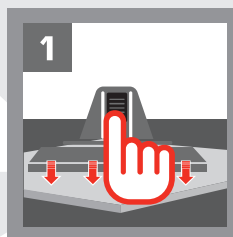
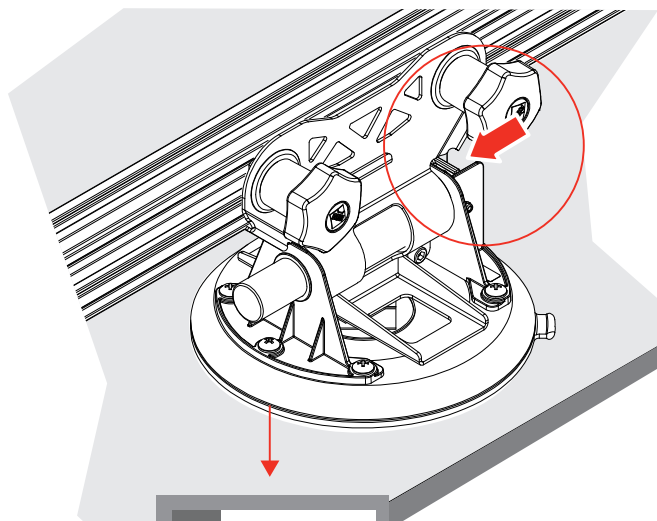


Examples





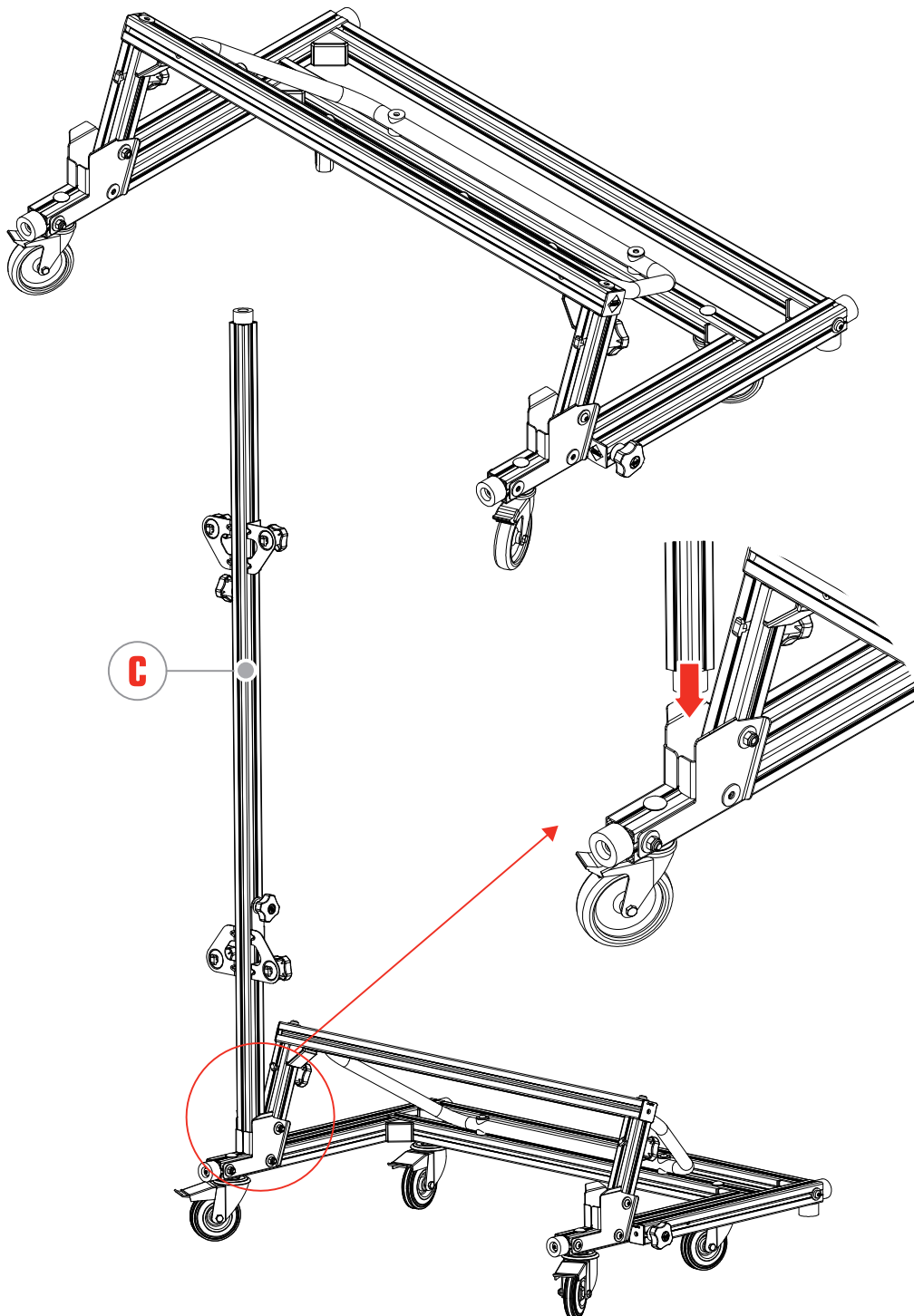
Tear off



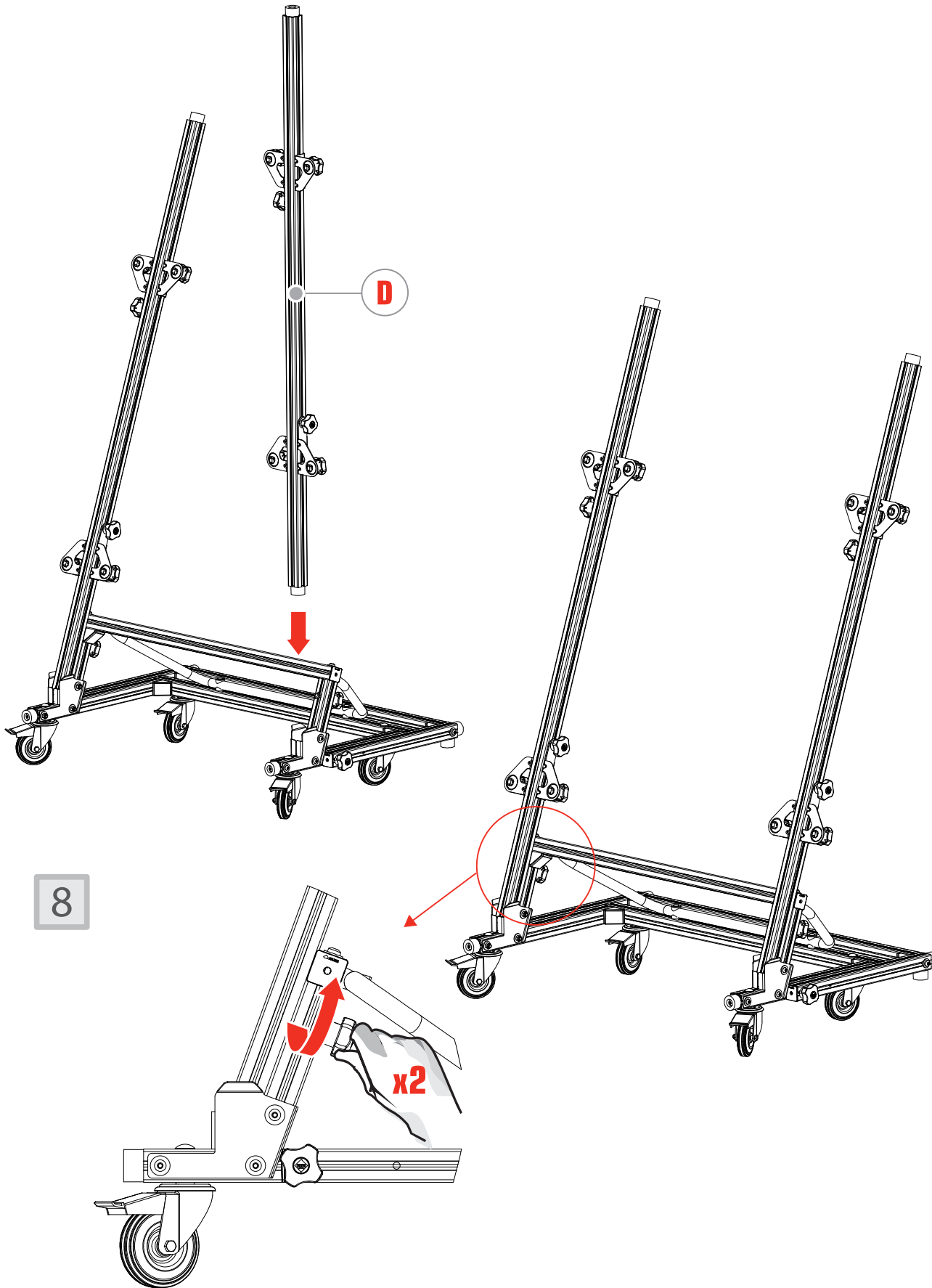


INSTRUCTIONS FOR USE WITH TROLLEY

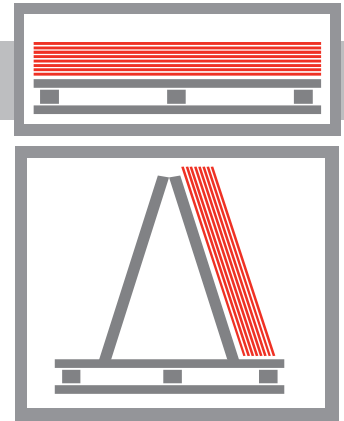
6



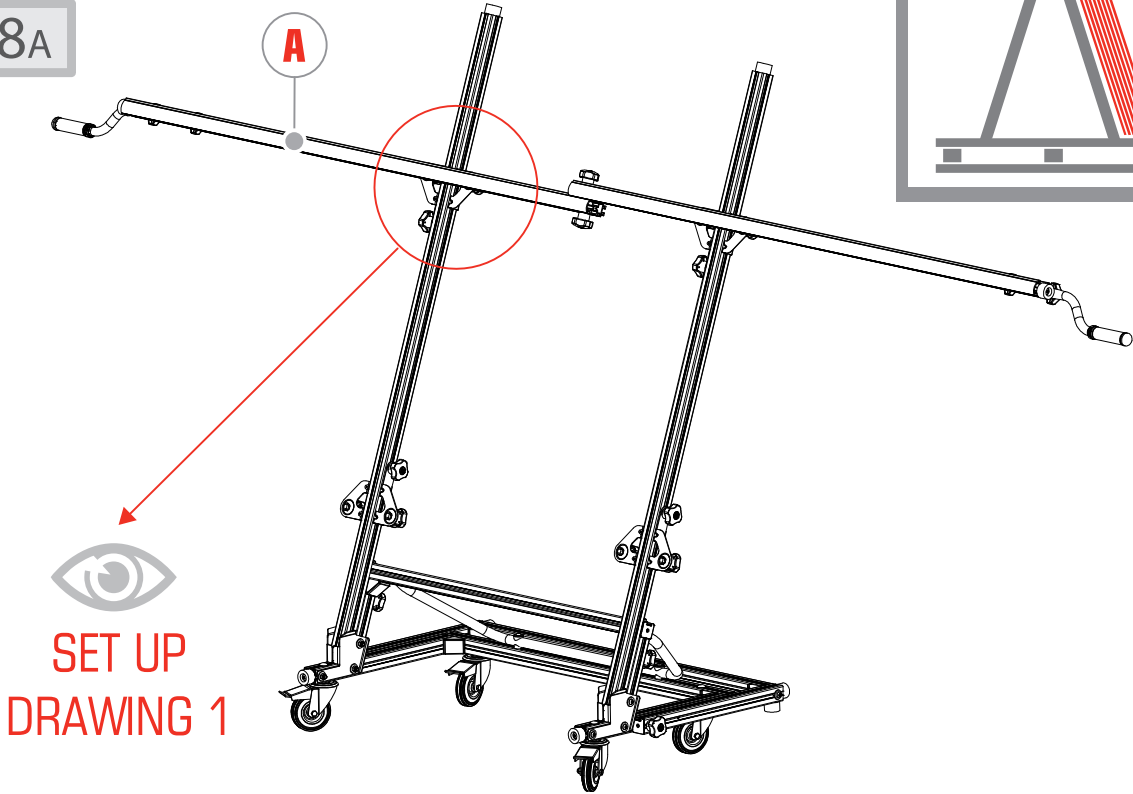
SLAB TRANS HEAVY DUTY



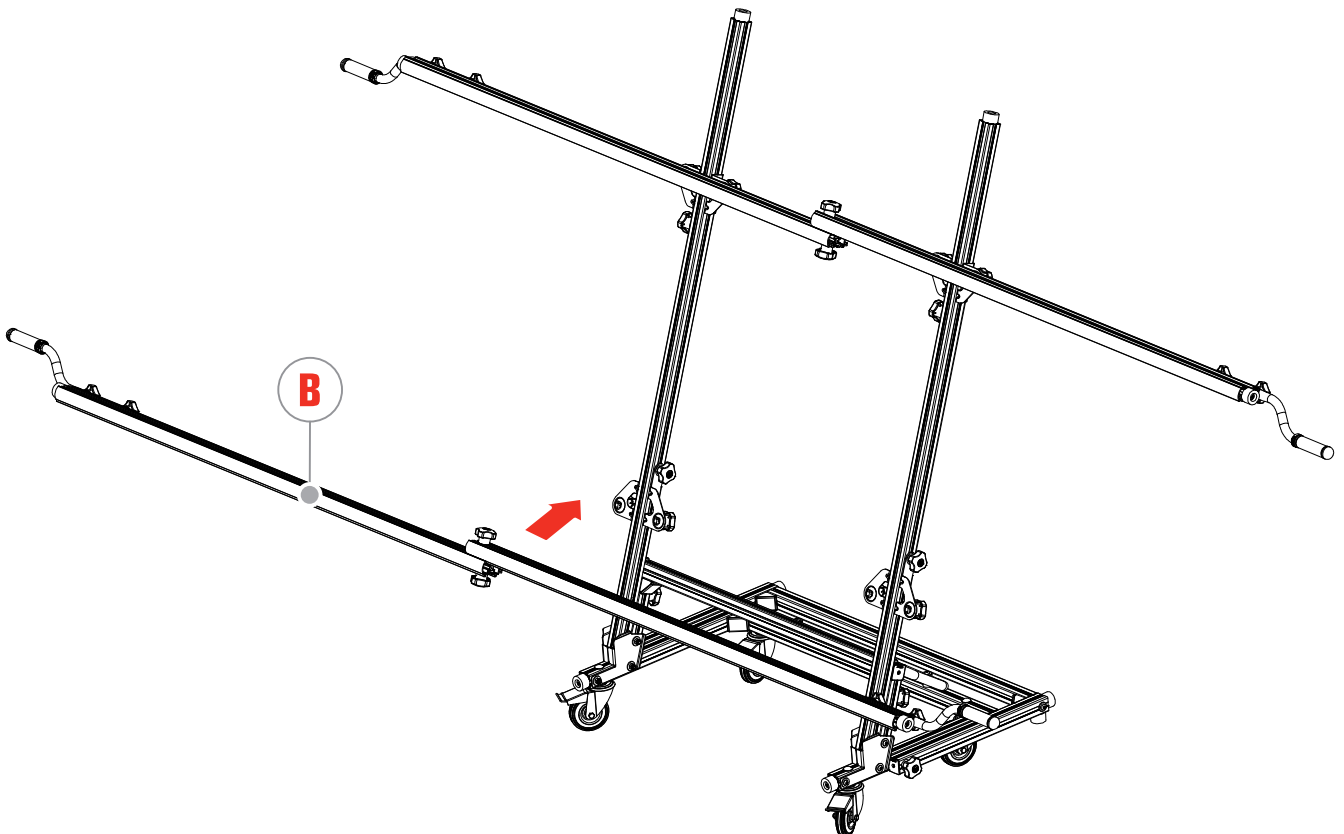
SET UP OPTION A



8A

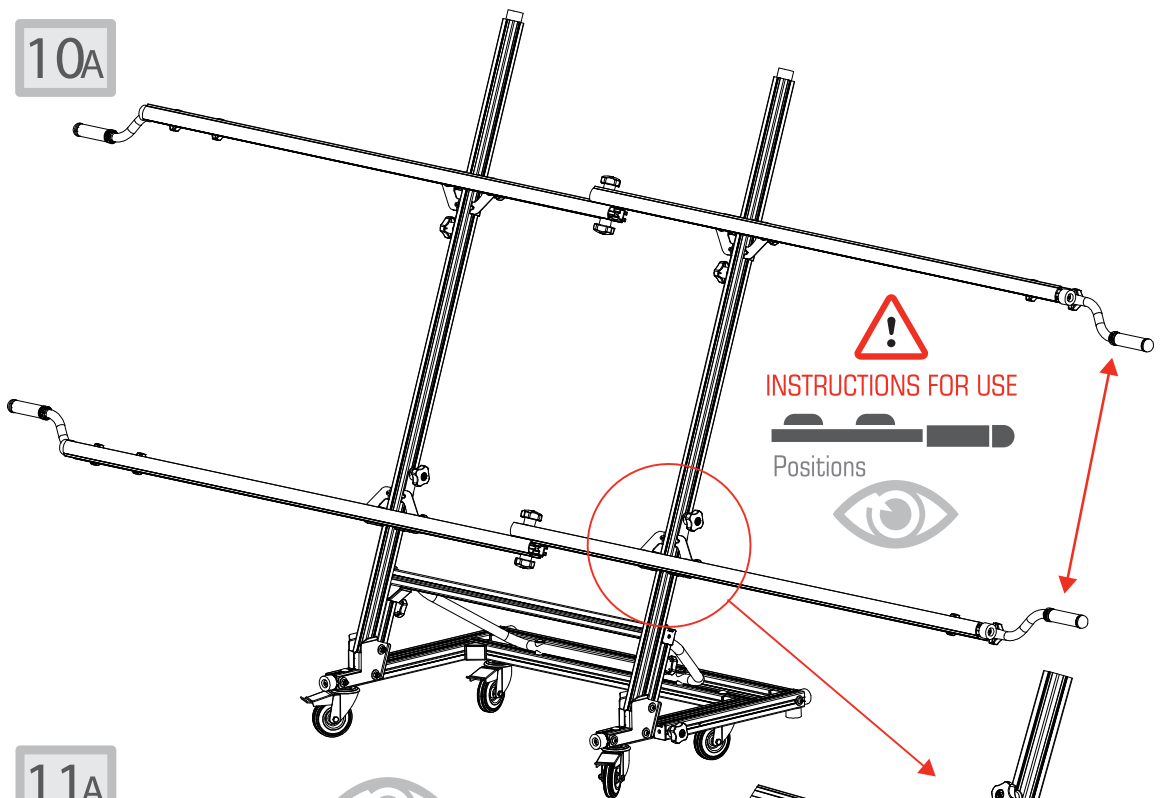


SET UP
DRAWING 1



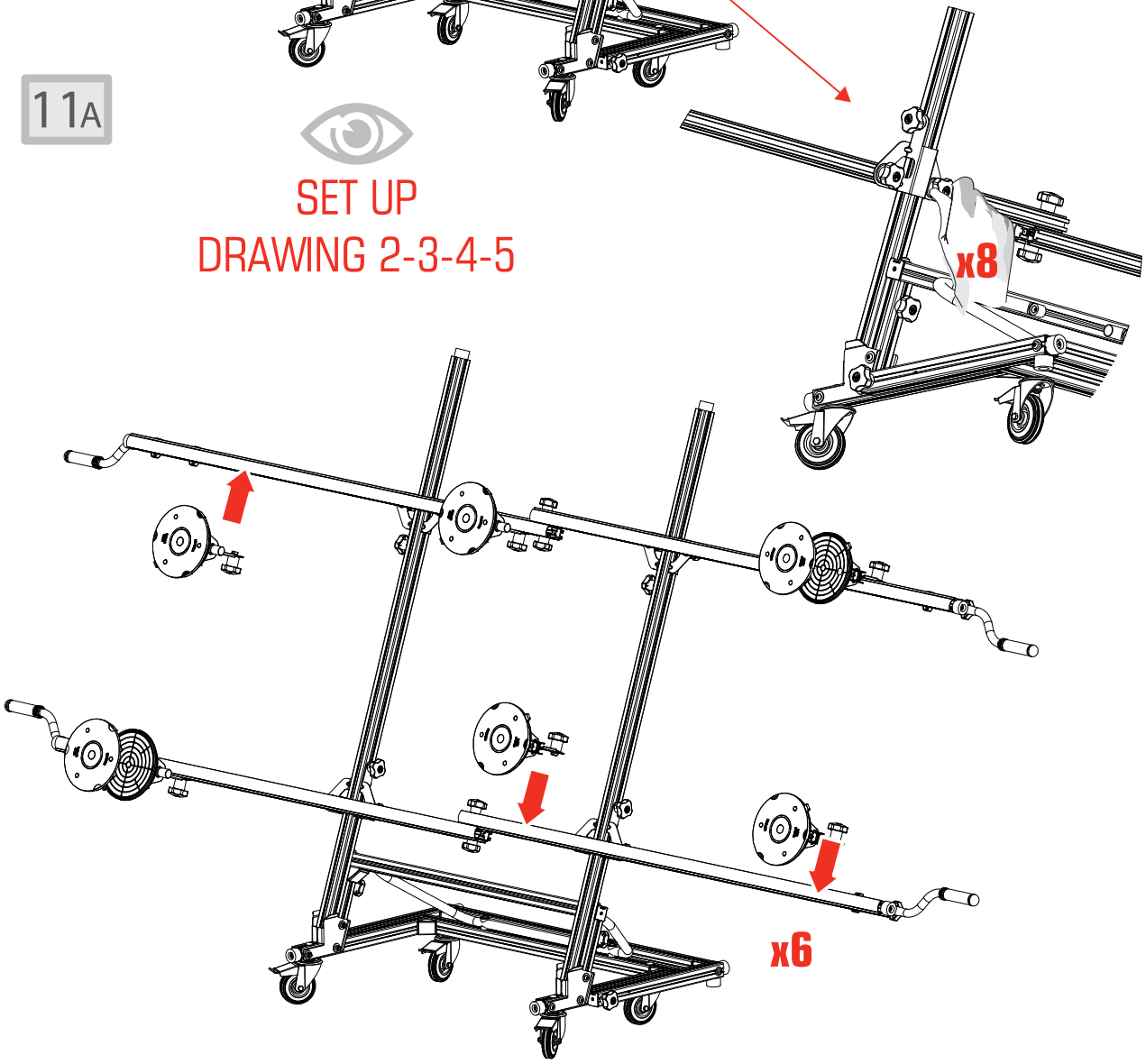
SLAB TRANS HEAVY DUTY

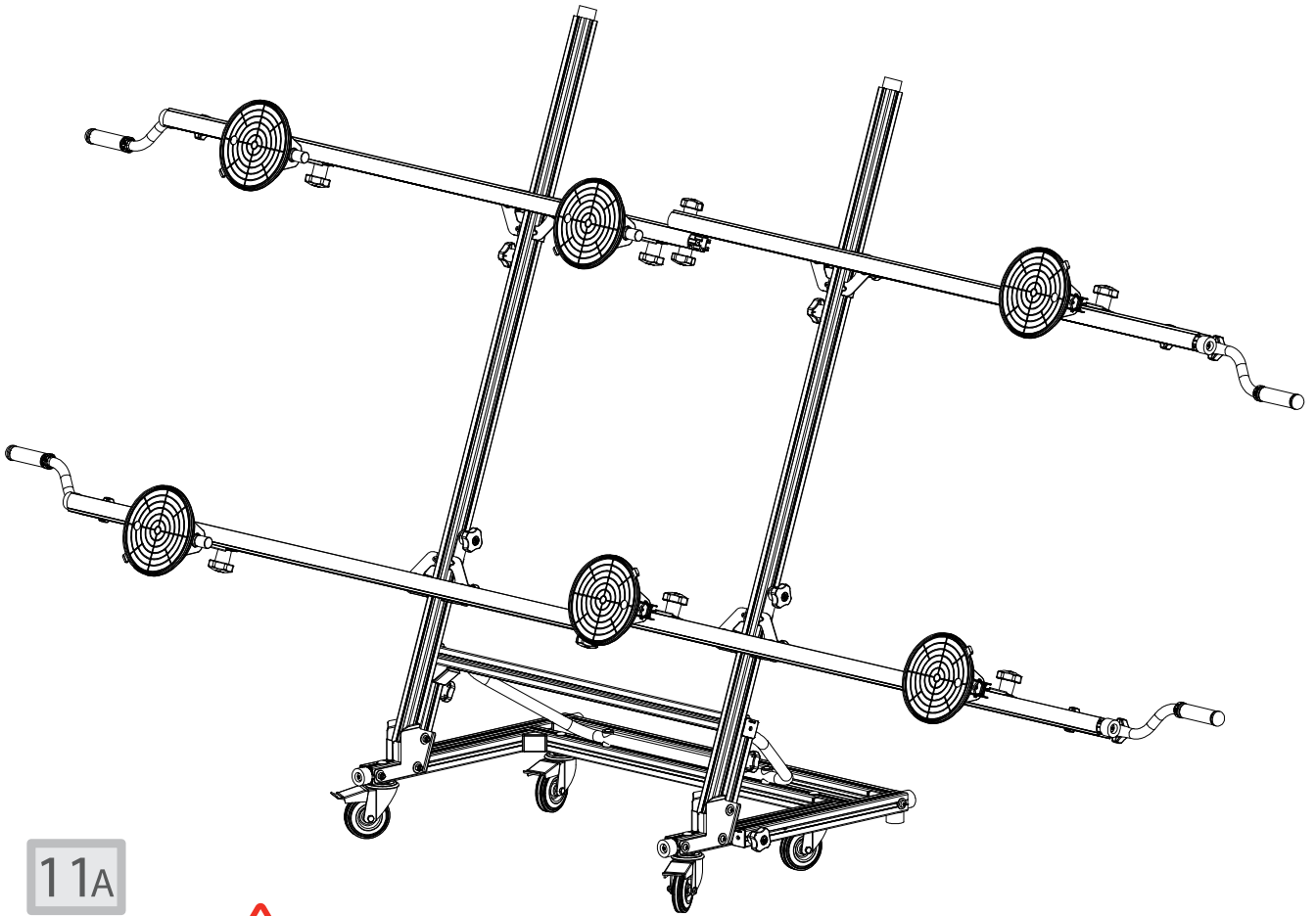
10A



11A

SET UP
DRAWING 2-3-4-5





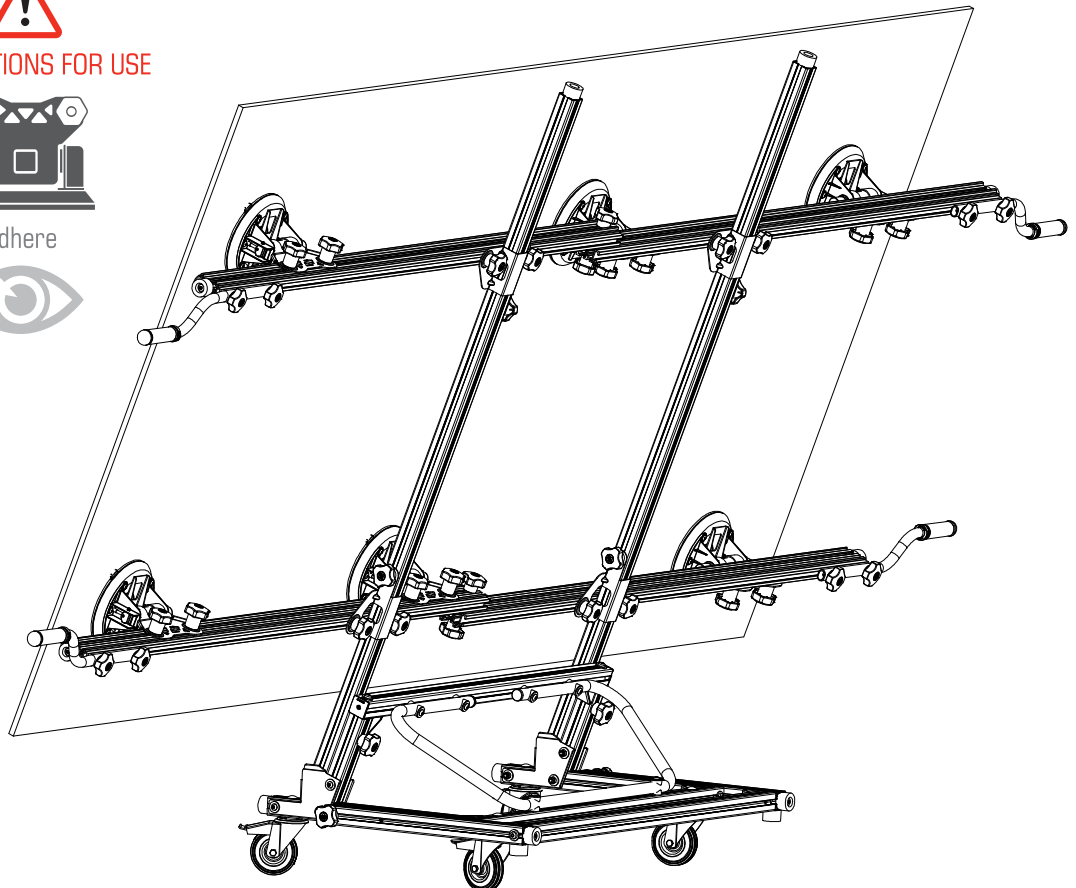
11A



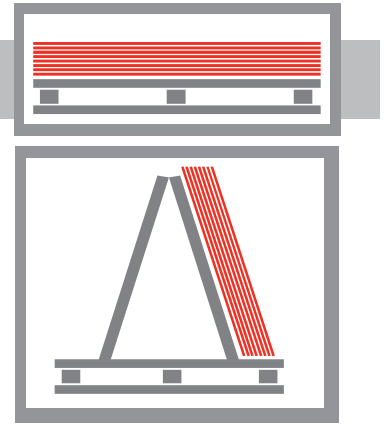
INSTRUCTIONS FOR USE



Adhere



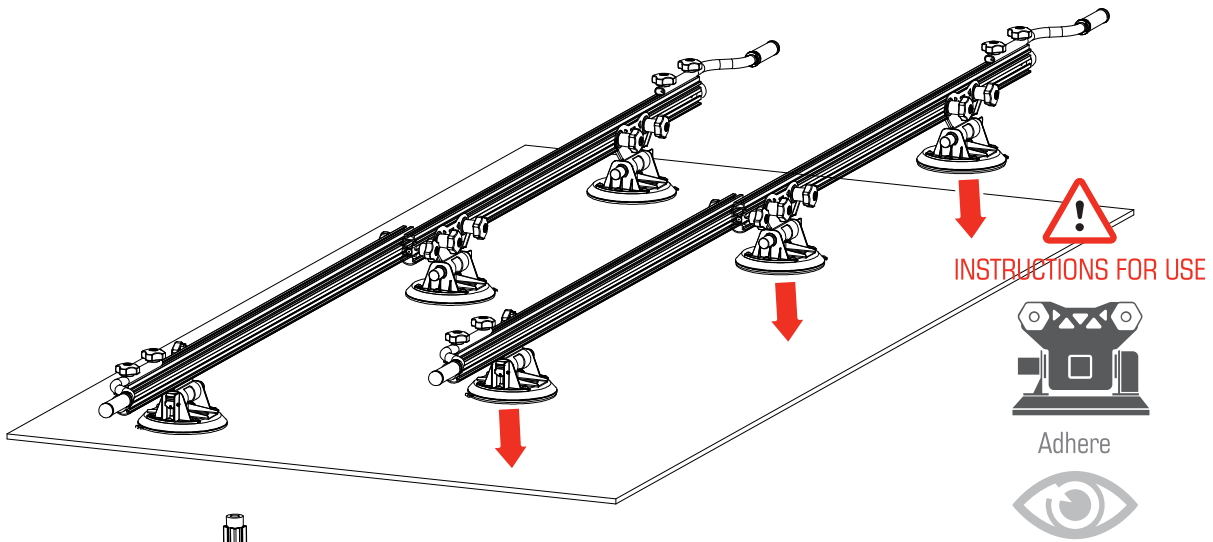
SET UP OPTION B



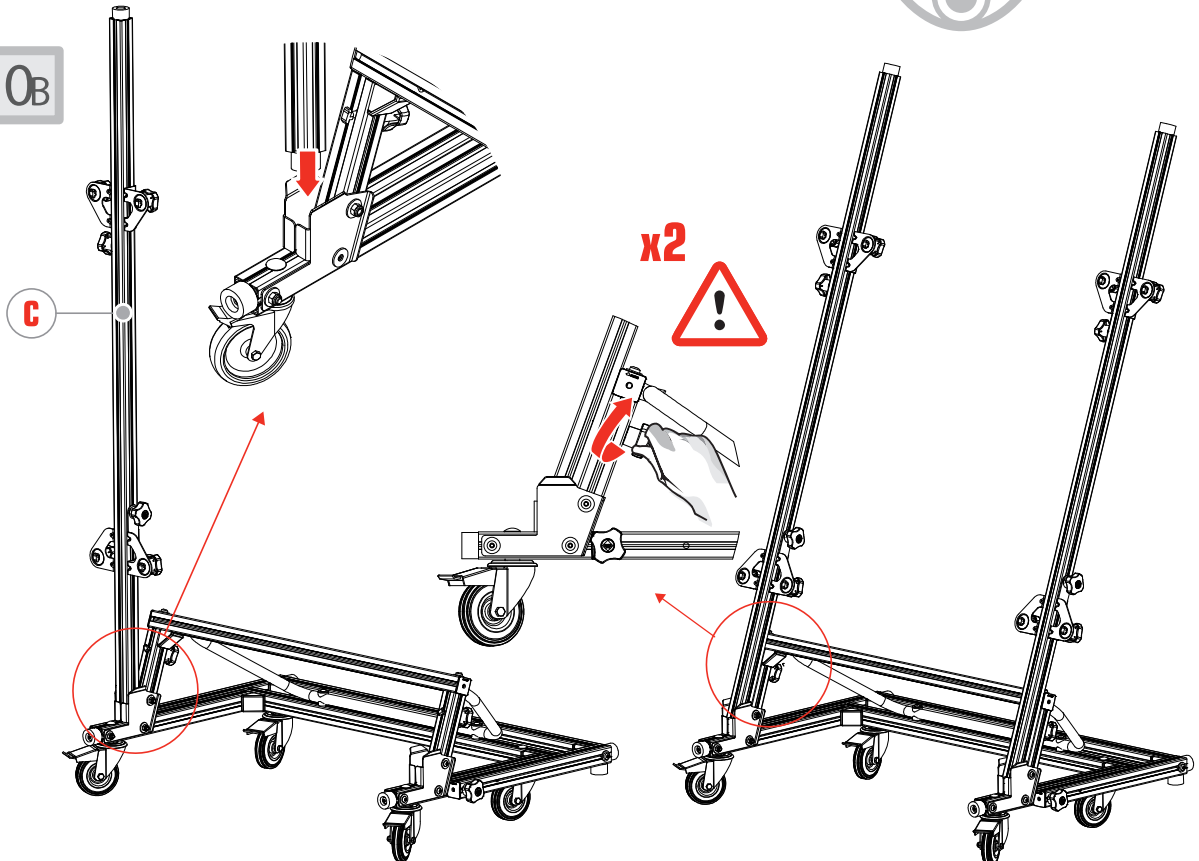
9B



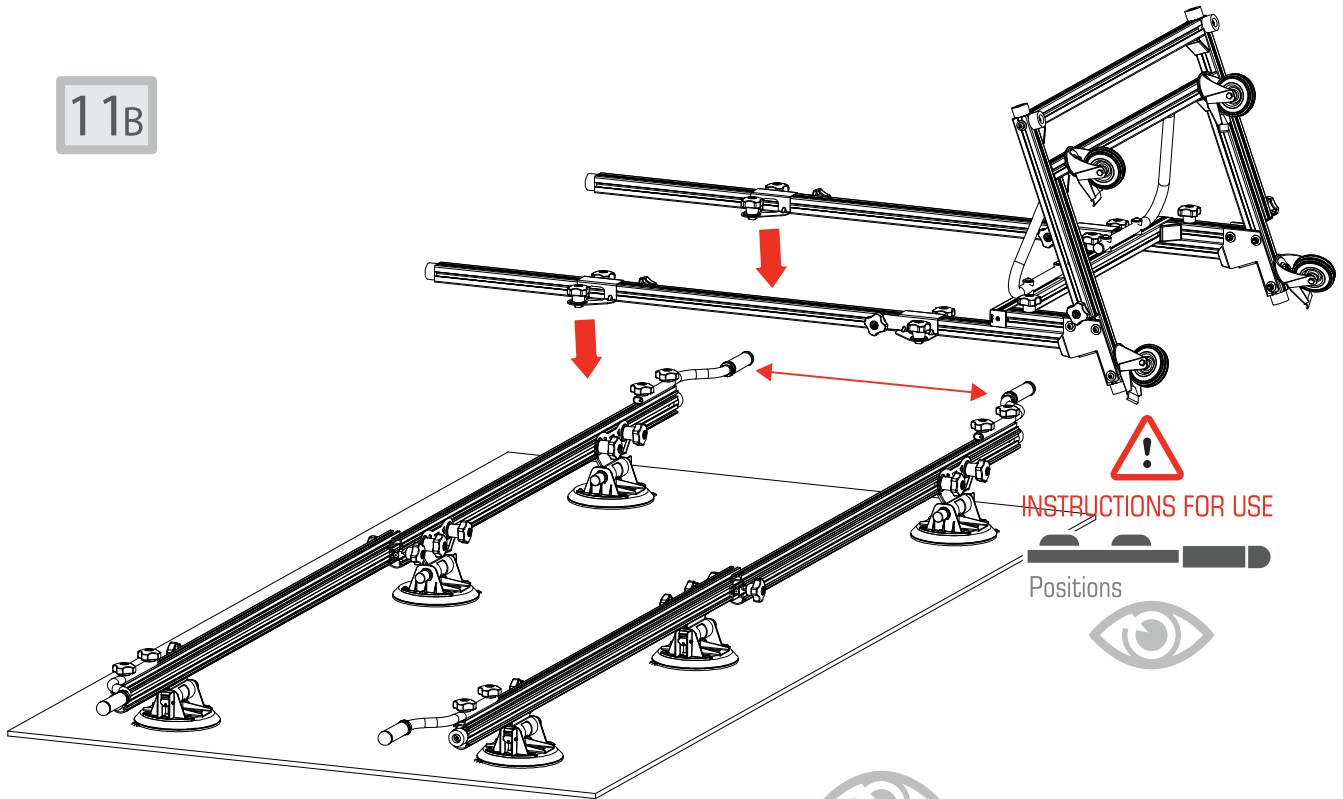
SET UP
DRAWING 1-2



10B

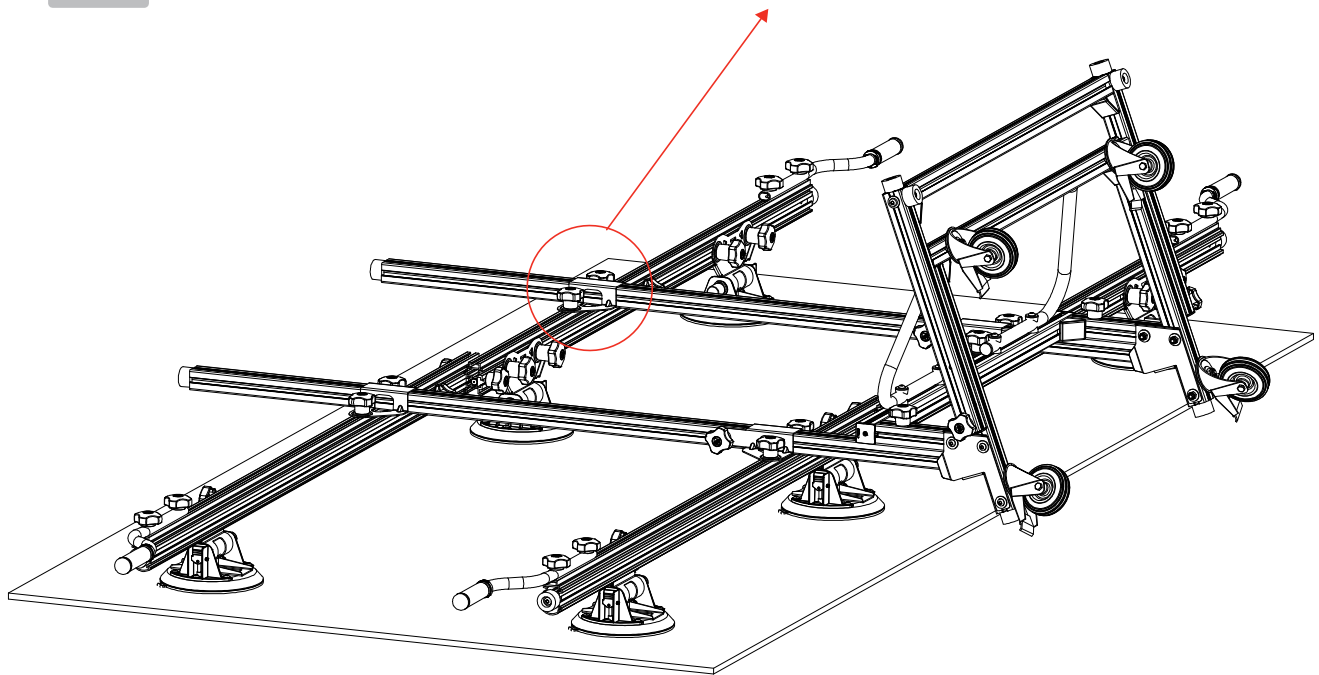


11B

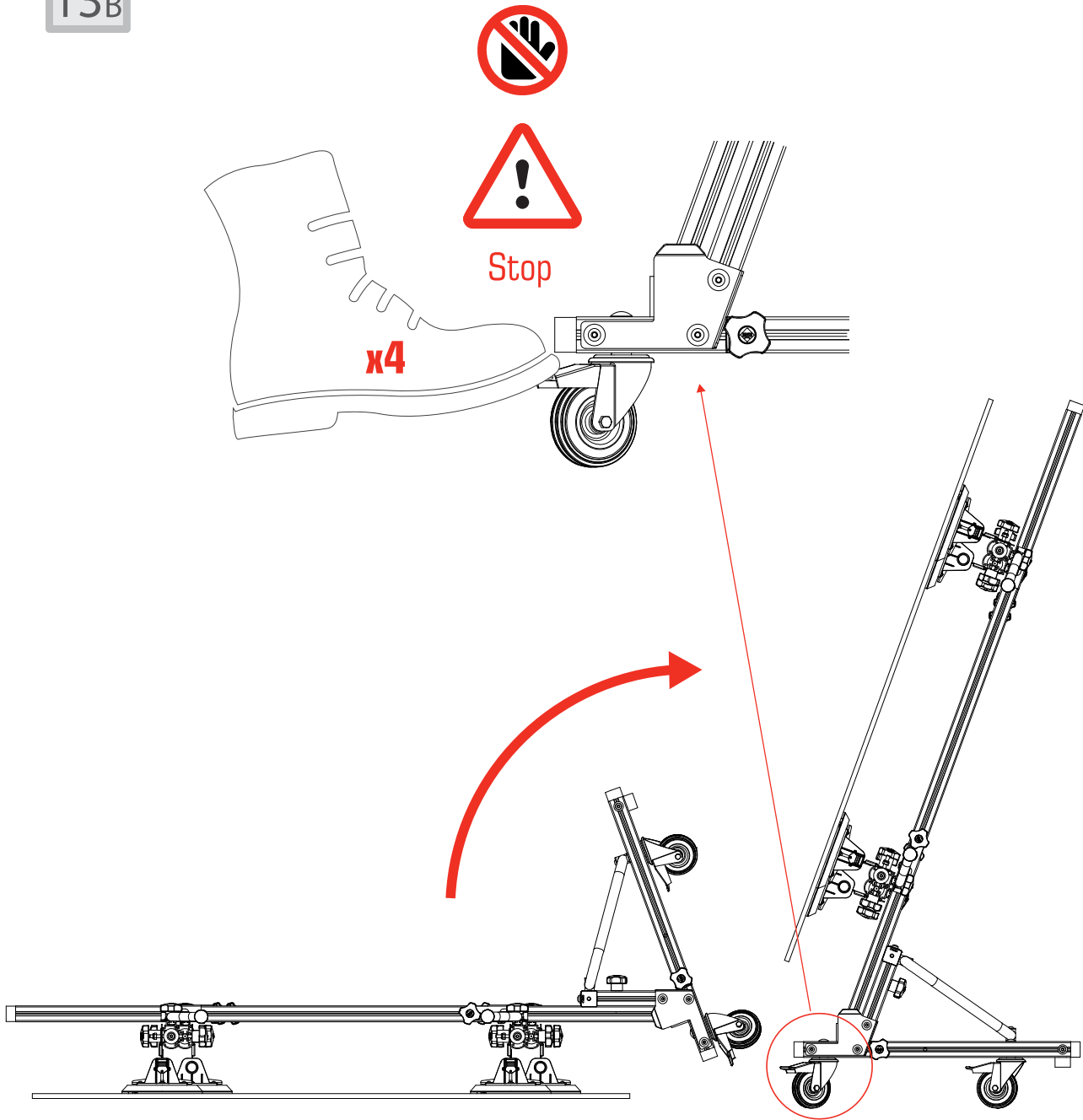


SET UP
DRAWING 2-3-4-5

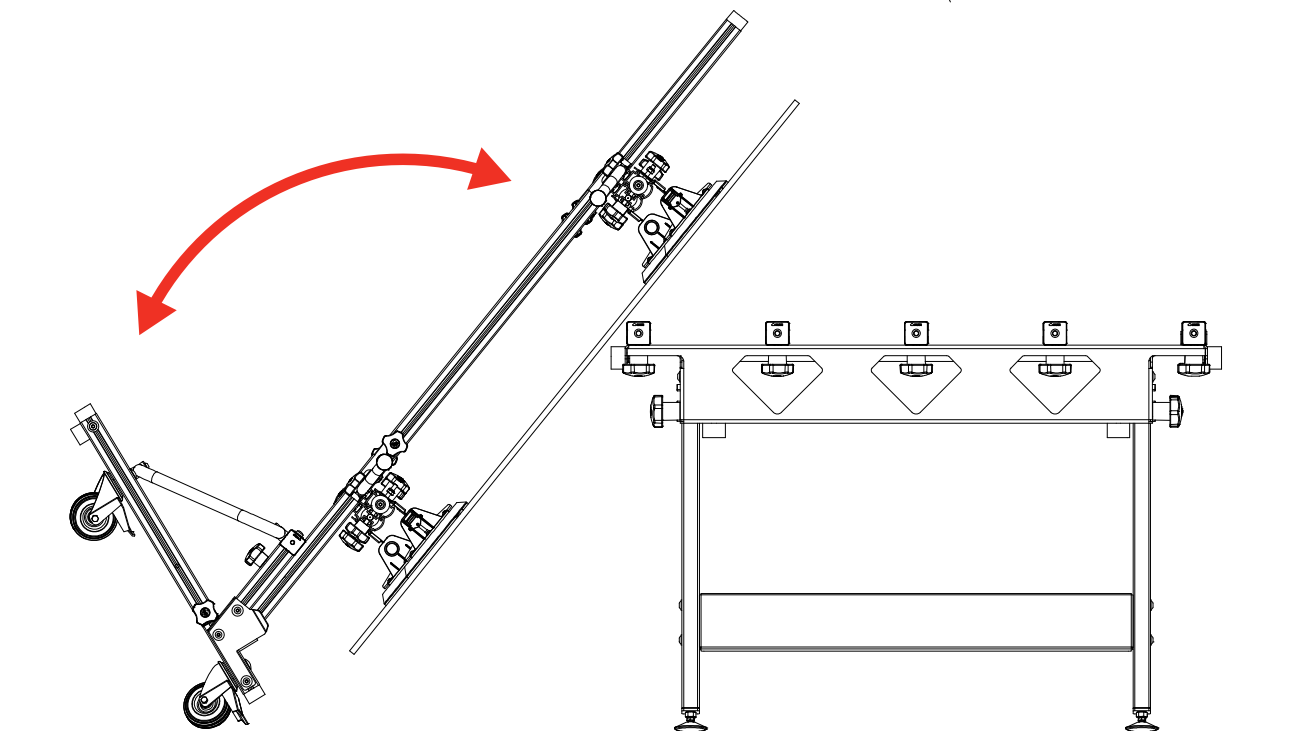
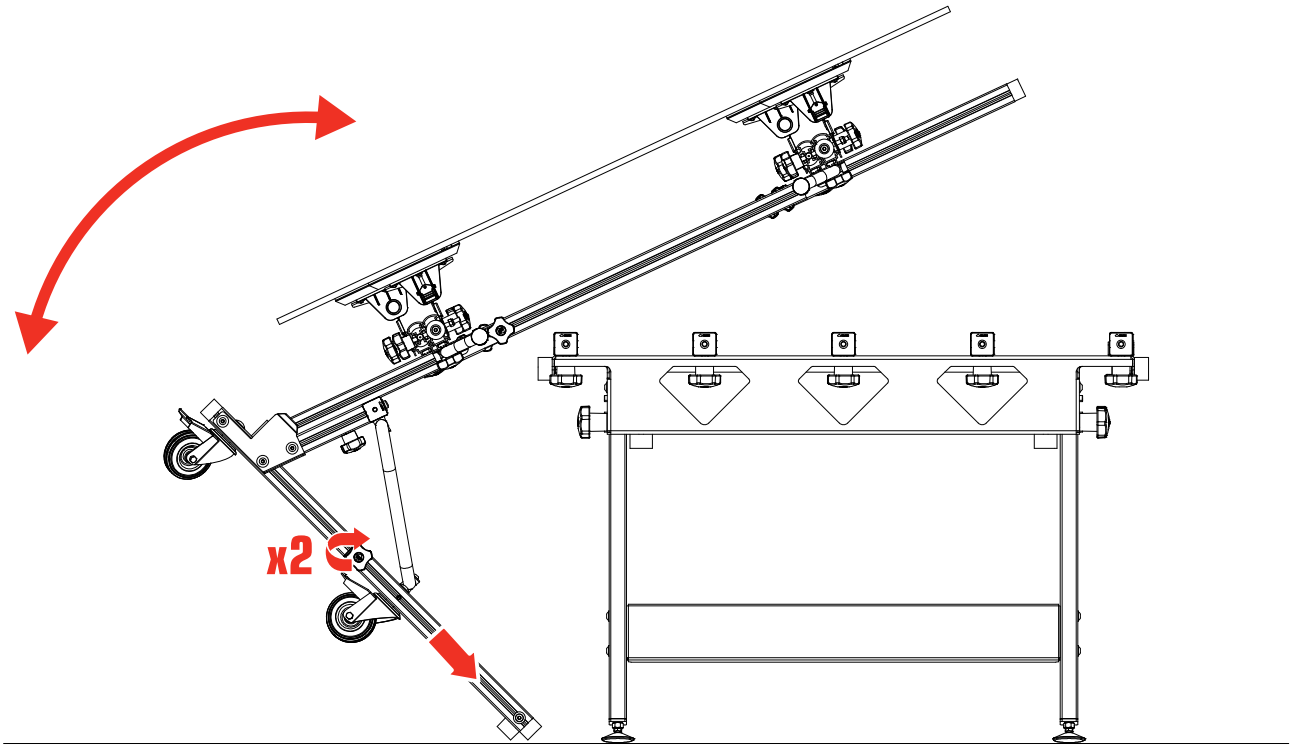
12B



13B

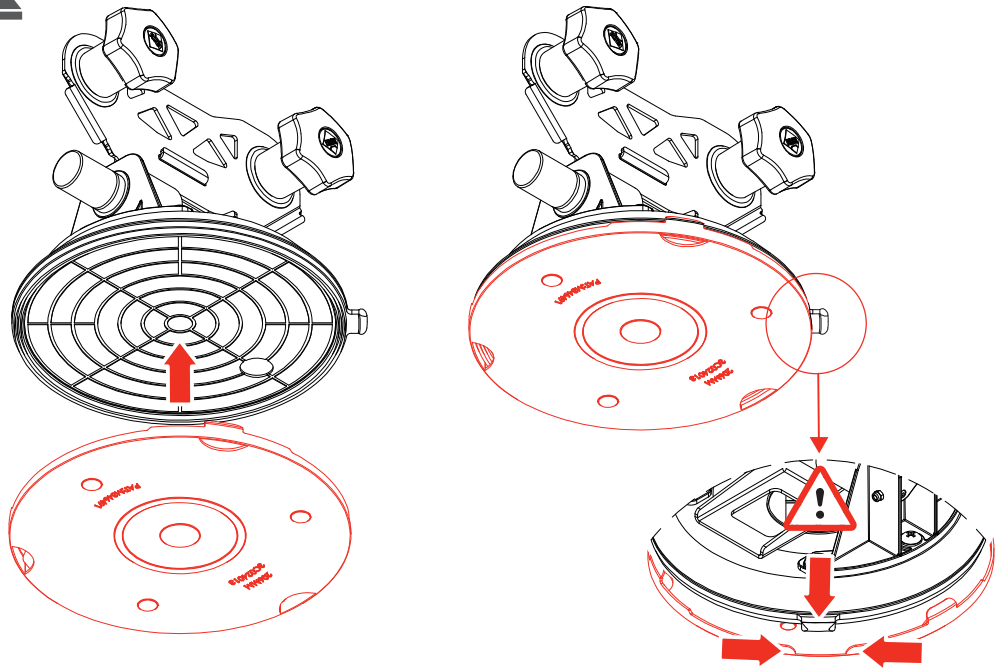
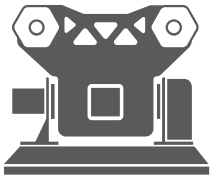


WORK TABLE





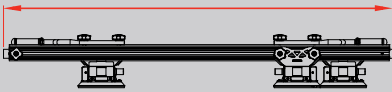
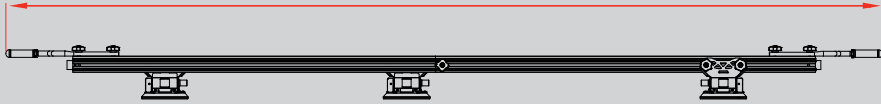
MAINTENANCE



<p>1</p> <p>OPEN</p>	<p>2</p>	<p>3</p>	<p>4</p> <p>CLOSE</p>	<p>5</p> <p>PRESS</p>	<p>REPLACE 2 YEARS approx.</p>
----------------------	----------	----------	-----------------------	-----------------------	------------------------------------



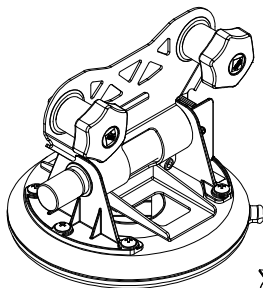
TECHNICAL CHARACTERISTICS

SLIM CROSS BARS		
18936	<div style="text-align: center;"> <p>min. 170 cm 67 inch</p>  <p>max. 380 cm 150 inch</p> </div>	<p>35 kg 77,16 Lb</p>

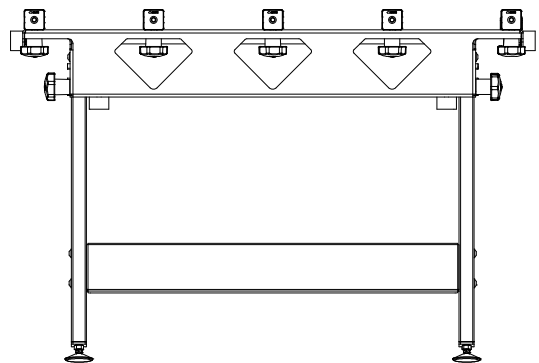
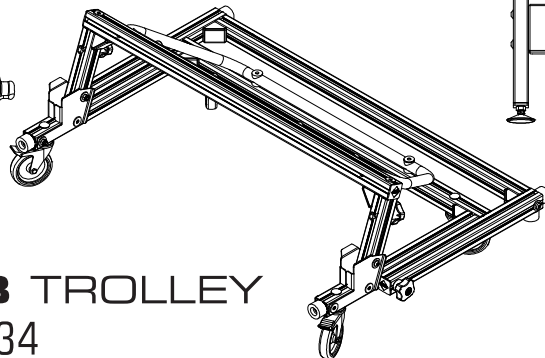


ACCESSORIES

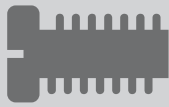
SLAB TRANS HEAVY DUTY
VACUUM SUCTION CUP
 Ref.18827



SLAB TROLLEY
 Ref.18934



SLAB TABLE
 Ref.18935



EXPLODING

